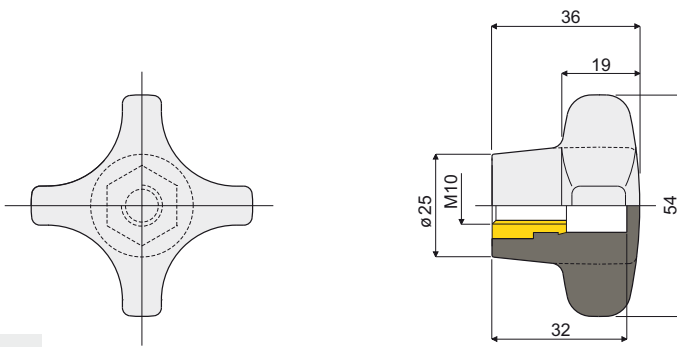


Knobs and handles



Knob for bracket Part. **246**
(reinforced type)



Code
246 / 81135

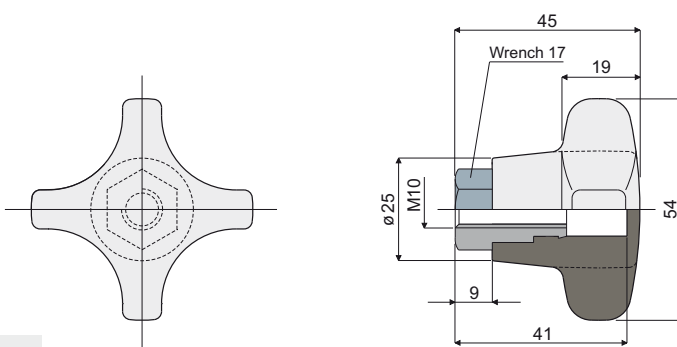
MATERIALS: Knob made of reinforced polyamide black colour; threaded bushing is made of brass.

FEATURES: Accessory to be applied to our heads Part.221 and Part.266.

BOX QUANTITY: 24 pieces.

ON REQUEST:

- Knobs: In reinforced polypropylene, other colours.
- Box Quantity: According to your request.



Knob for bracket Part. **247**
(reinforced type)



Code
247 / 81137

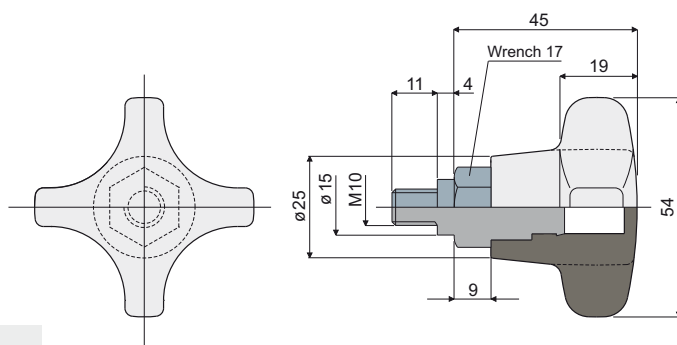
MATERIALS: Knob made of reinforced polyamide black colour; threaded bushing made of nickel plated brass.

FEATURES: Accessory to be applied to our heads Part.221 and Part.266.

BOX QUANTITY: 24 pieces.

ON REQUEST:

- Knobs: In reinforced polypropylene, other colours.
- Box Quantity: According to your request.



Knob for bracket Part. **248**
(reinforced type)



Code
248 / 81139

MATERIALS: Knob made of reinforced polyamide black colour; threaded insert made of nickel plated brass.

FEATURES: Accessory to be applied to our head Part.223.

BOX QUANTITY: 24 pieces.

ON REQUEST:

- Knobs: In reinforced polypropylene, other colours.
- Box Quantity: According to your request.