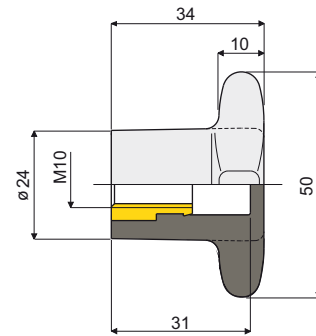
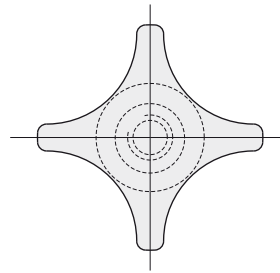


Knobs and handles

Part. 226 Knob for bracket



Code
226 / 80678

MATERIALS: Knob made of reinforced polyamide black colour; threaded bushing made of brass.

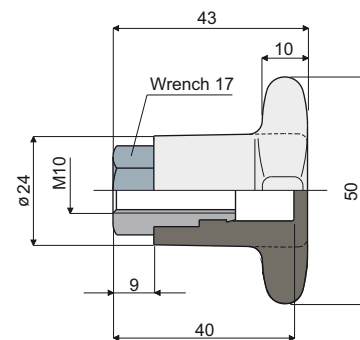
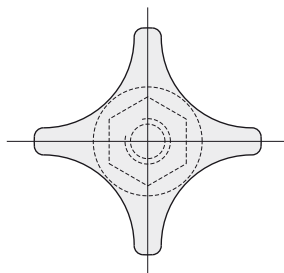
FEATURES: Accessory to be used with heads Part.221 and 266.

BOX QUANTITY: 24 pieces.

ON REQUEST:

- Knobs: In reinforced polypropylene, other colours.
- Box Quantity: According to your request.

Part. 227 Knob for bracket



Code
227 / 80679

MATERIALS: Knob made of reinforced polyamide black colour; threaded bushing made of brass.

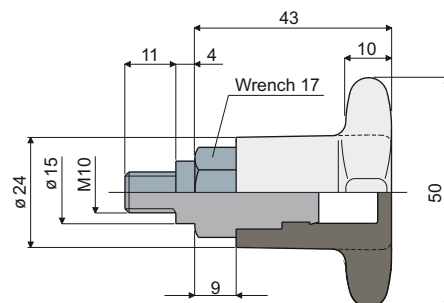
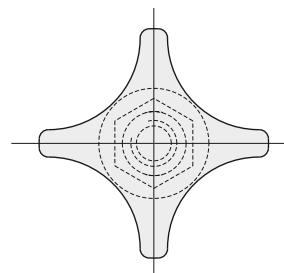
FEATURES: Accessory to be used with heads Part.221 and 266.

BOX QUANTITY: 24 pieces.

ON REQUEST:

- Knobs: In reinforced polypropylene, other colours.
- Box Quantity: According to your request.

Part. 228 Knob for bracket



Code
228 / 80680

MATERIALS: Knob made of reinforced polyamide black colour; threaded bushing made of brass.

FEATURES: Accessory to be used with head Part.223.

BOX QUANTITY: 24 pieces.

ON REQUEST:

- Knobs: In reinforced polypropylene, other colours.
- Box Quantity: According to your request.