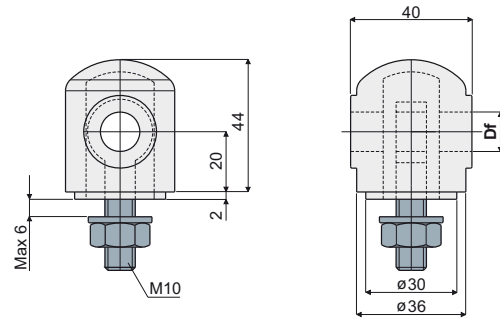


Heads for brackets

Part. 222 Head for bracket



Df Bore for pin of (mm)	Code
12	222 / 80671
14	222 / 80672
16	222 / 80673

MATERIALS: Head made of reinforced polyamide black colour; eyebolt, nut and washer made of stainless steel AISI 304.

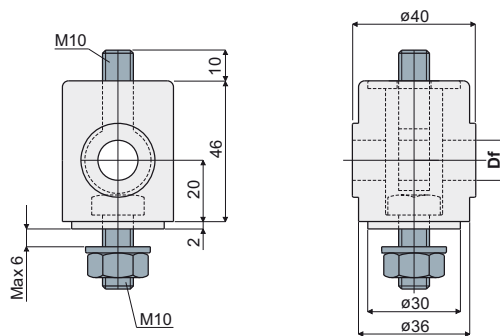
FEATURES: To be used with bracket Part.209, 220 and 242. Max tightening torque 4 Kg-m.

BOX QUANTITY: 24 pieces.

ON REQUEST:

- Heads: In reinforced polypropylene, other colours.
- Box Quantity: According to your request.

Part. 221 Head for bracket



Df Bore for pin of (mm)	Code
12	221 / 80668
14	221 / 80669
16	221 / 80670

MATERIALS: Head made of reinforced polyamide black colour; eyebolt, screw, nut and washers made of stainless steel AISI 304.

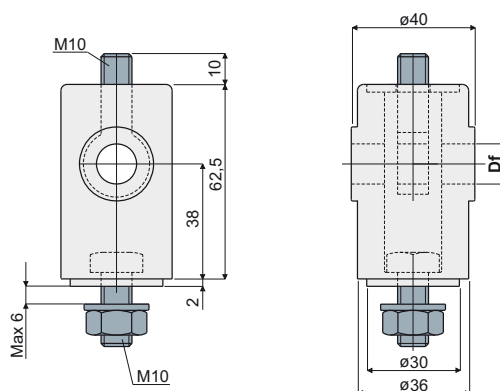
FEATURES: To be used with bracket Part.209, 220 and 242. Max tightening torque 4 Kg-m.

BOX QUANTITY: 24 pieces.

ON REQUEST:

- Heads: In reinforced polypropylene, other colours.
- Box Quantity: According to your request.

Part. 266 Head for bracket (high type)



Df Bore for pin of (mm)	Code
12	266 / 82035
14	266 / 82036
16	266 / 82037

MATERIALS: Head made of reinforced polyamide black colour; eyebolt, nuts and washer made of stainless steel AISI 304.

FEATURES: To be used with bracket Part.209, 220 and 242. Max tightening torque 4 Kg-m.

BOX QUANTITY: 24 pieces.

ON REQUEST:

- Heads: Made of reinforced polypropylene, other colours.
- Box Quantity: According to your request.