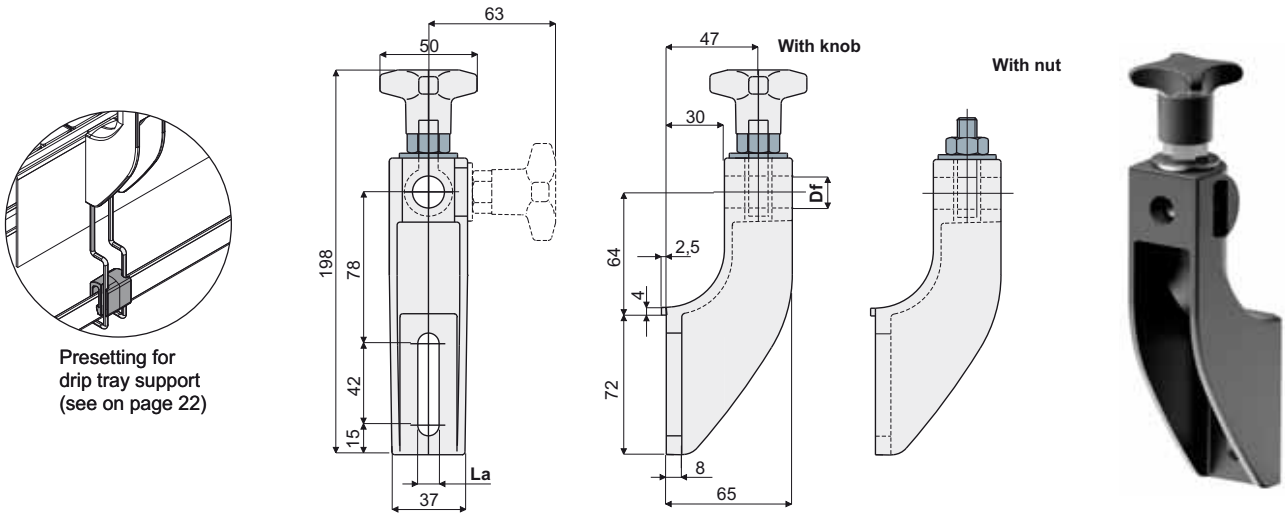


Guide rail brackets

Guide rail bracket Part. 213



Presetting for drip tray support (see on page 22)

Df Bore for pin of (mm)	La (9 mm slot)	
	With knob Code	With nut Code
12	213 / 81176	213 / 82105
14	213 / 82102	213 / 82107
16	213 / 82104	213 / 82109

Df Bore for pin of (mm)	La (11 mm slot)	
	With knob Code	With nut Code
12	213 / 80652	213 / 80653
14	213 / 80654	213 / 80655
16	213 / 80656	213 / 80657

MATERIALS: Bracket and knob made of reinforced polyamide black colour; hexagonal insert made of nickel plated brass; eyebolt, nut and washer made of stainless steel AISI 304.

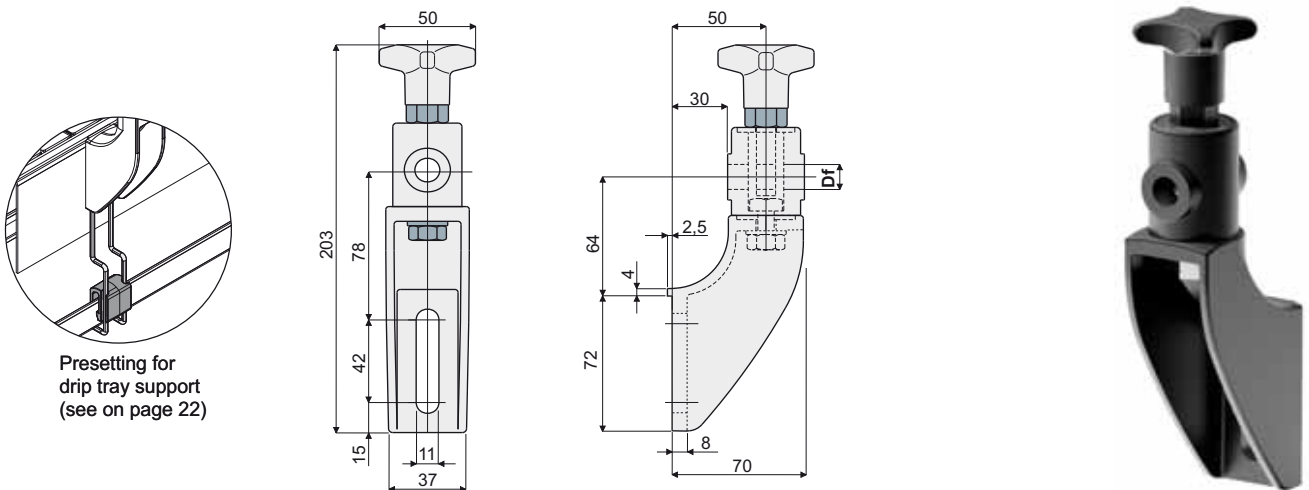
FEATURES: Max tightening torque 4 Kg·m.

BOX QUANTITY: 24 pieces.

ON REQUEST:

- Brackets: In reinforced polypropylene, other colours.
- Box Quantity: According to your request.

Guide rail bracket Part. 214 (with adjustable head)



Presetting for drip tray support (see on page 22)

Df Bore for pin of (mm)	Code
12	214 / 80755
14	214 / 80756
16	214 / 80757

MATERIALS: Bracket and knob made of reinforced polyamide black colour; hexagonal insert made of nickel plated brass; eyebolt, nut and washer made of stainless steel AISI 304.

FEATURES: Max tightening torque 4 Kg·m.

BOX QUANTITY: 24 pieces.

ON REQUEST:

- Brackets: In reinforced polypropylene, other colours.
- Box Quantity: According to your request.