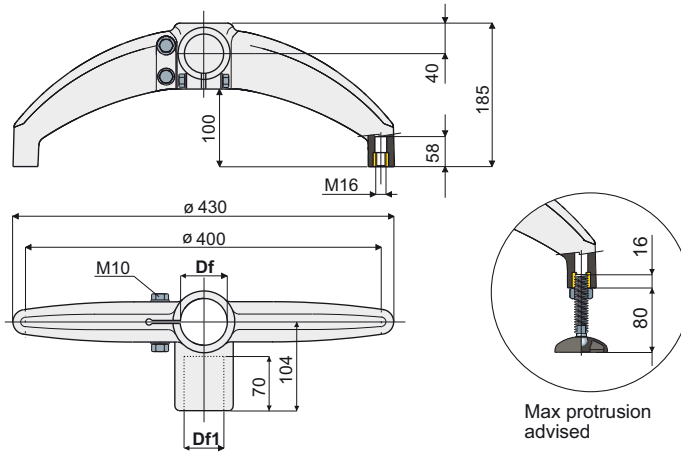


Bases



Support base
(bipod at 180°)

Part. **202**



Df	Df1	Zinc plated bolts and nuts	Stainless steel AISI 304 bolts and nuts	Tube unthreading load (N)	Max static load allowed (N)
Bore for tubes of (mm)	Bore for tubes of (Inches)	Code	Code		
60,3	2"	202 / 80622	202 / 80623		
60,3	2"	202 / 80624	202 / 80625		
50,8	-	202 / 83204	202 / 83205		
50,8	-	202 / 83206	202 / 83207	9600	15800
48,3	1" 1/2	202 / 80626	202 / 80627		
48,3	1" 1/2	202 / 80628	202 / 80629		
42,4	1" 1/4	202 / 80630	202 / 80631		

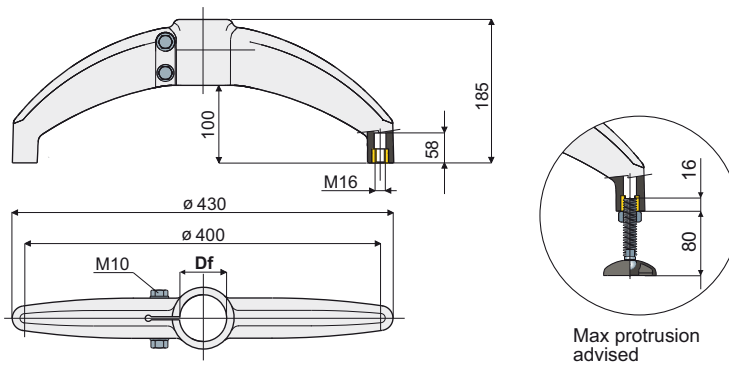
MATERIALS: Base made of reinforced polyamide black colour; threaded bushing made of brass; fixing bolts and nuts made of stainless steel AISI 304 or zinc plated steel.

FEATURES: Max tightening torque 3,6 Kg·m.

BOX QUANTITY: 8 pieces.

ON REQUEST:

- **Bases:** In reinforced polypropylene, other colours.
- **Box Quantity:** According to your request.
- **Assembling of:** Bolts and nuts.



Support base
(bipod at 180°)

Part. **203**



Df	Zinc plated bolts and nuts	Stainless steel AISI 304 bolts and nuts	Tube unthreading load (N)	Max static load allowed (N)
Bore for tubes of (mm)	Code	Code		
60,3	203 / 80632	203 / 80633		
50,8	203 / 82998	203 / 82999		
48,3	203 / 80634	203 / 80635	9600	15800
42,4	203 / 80636	203 / 80637		

MATERIALS: Base made of reinforced polyamide black colour; threaded bushing made of brass; fixing bolts and nuts made of stainless steel AISI 304 or zinc plated steel.

FEATURES: Max tightening torque 3,6 Kg·m.

BOX QUANTITY: 8 pieces.

ON REQUEST:

- **Bases:** In reinforced polypropylene, other colours.
- **Box Quantity:** According to your request.
- **Assembling of:** Bolts and nuts.