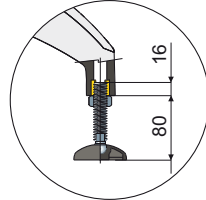
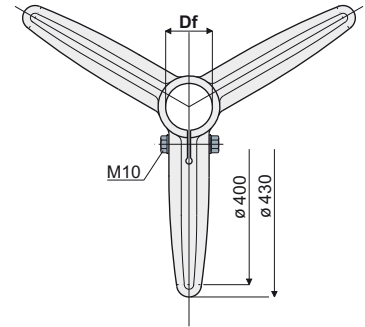
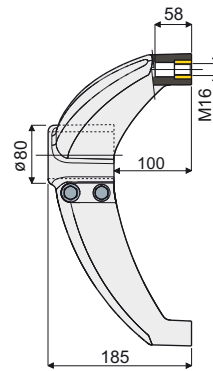


# Bases

## Part. 200 Support base (tripod)



Max protrusion advised



Df Bore for tubes of (mm)	(Inches)	Zinc plated bolts and nuts Code	Stainless steel AISI 304 bolts and nuts Code	Tube unthreading load (N)	Max static load allowed (N)
60,3	2"	200 / 80588	200 / 80589		
50,8	-	200 / 82070	200 / 82071		
48,3	1" 1/2	200 / 80590	200 / 80591	9600	15800
42,4	1" 1/4	200 / 80592	200 / 80593		
45x45	square tube	200 / 80271	200 / 80753		

**MATERIALS:** Base made of reinforced polyamide black colour; threaded bushing made of brass; fixing bolts and nuts made of stainless steel AISI 304 or zinc plated steel.

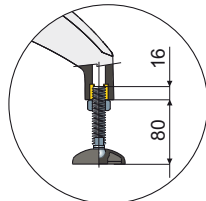
**FEATURES:** Max tightening torque 3,6 Kg-m.

**BOX QUANTITY:** 8 pieces.

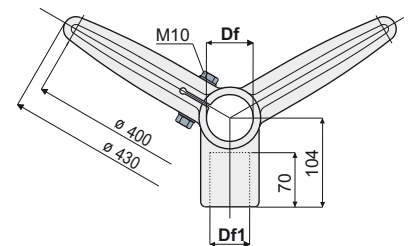
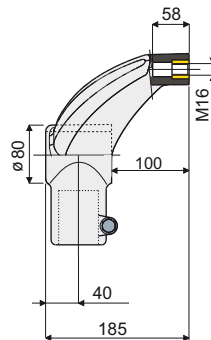
**ON REQUEST:**

- Bases: In reinforced polypropylene, other colours.
- Box Quantity: According to your request.
- Assembling of: Bolts and nuts.

## Part. 201 Support base (bipod at 120°)



Max protrusion advised



Df Bore for tubes of (mm)	(Inches)	Df1 Bore for tubes of (mm)	(Inches)	Zinc plated bolts and nuts Code	Stainless steel AISI 304 bolts and nuts Code	Tube unthreading load (N)	Max static load allowed (N)
60,3	2"	48,3	1" 1/2	201 / 80612	201 / 80613		
60,3	2"	42,4	1" 1/4	201 / 80614	201 / 80615		
50,8	-	48,3	-	201 / 83200	201 / 83201		
50,8	-	42,4	-	201 / 83202	201 / 83203	9600	15800
48,3	1" 1/2	48,3	1" 1/2	201 / 80616	201 / 80617		
48,3	1" 1/2	42,4	1" 1/4	201 / 80618	201 / 80619		
42,4	1" 1/4	42,4	1" 1/4	201 / 80620	201 / 80621		

**MATERIALS:** Base made of reinforced polyamide black colour; threaded bushing made of brass; fixing bolts and nuts made of stainless steel AISI 304 or zinc plated steel.

**FEATURES:** Max tightening torque 3,6 Kg-m.

**BOX QUANTITY:** 8 pieces.

**ON REQUEST:**

- Bases: In reinforced polypropylene, other colours.
- Box Quantity: According to your request.
- Assembling of: Bolts and nuts.