



W-25 Pouch Machine

The Winpak W-25 is the premier form/fill/seal pouch machine for production of bulk liquid packaging. This machine is perfect for food service applications where packaging economy through high output production, fill accuracy and long shelf-life are paramount.

- Precision servo drive system for producing more than 300 packages per minute.
- Winpak's unique, patented "Atmospheric Control" system, available as an equipment option, allows for successful "hot filling" of products up to 195°F (90°C) or for modified atmospheric packaging.
- Winpak's state of the art patented fill tube design provides positive cut-off even for challenging products—resulting in high integrity seals free of product contamination.
- Changeover for different package widths and number of packages across the web can be made in one or two hours. Package length can be easily adjusted in minutes.
- Package features such as easy-opening notches and perforations, pouring spouts and fitments make packages as "user-friendly" as possible.
- Fully integrated CIP systems make cleaning fast, reliable, safe, and cost effective.

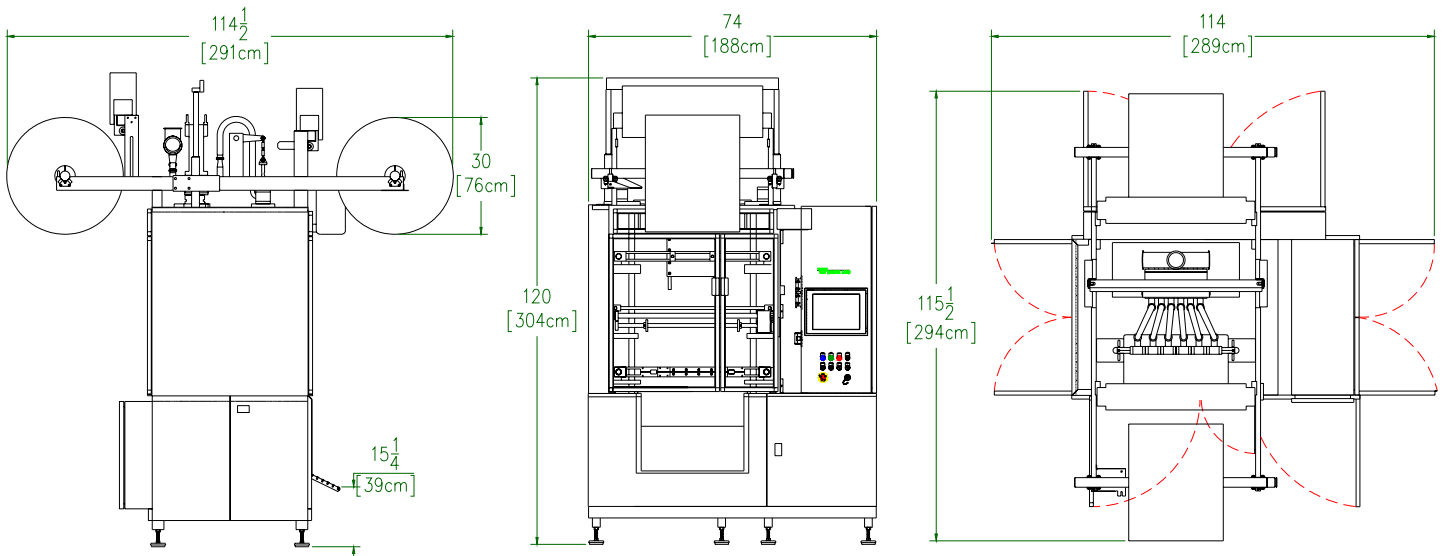




MACHINE SPECIFICATION	W-25
FILM WIDTH	Up to 25" (635mm)
PACKAGES PER CYCLE	1 to 6
PACKAGE WIDTHS	4" (101.6mm) to 25" (635mm)
CYCLES PER MINUTE	10 to 50
FILL VOLUME RANGE	Minimum 4 fl. oz. (120ml) Maximum 5 gal (19L)
FILL TEMPERATURE RANGE	Minimum 34°F (1°C) Maximum 195°F (90°C)

The W-25 produces a pouch package by combining two separate rolls of film. Each roll is up to a nominal 25" (635mm) wide. Packages of various widths may be run with the use of appropriate change parts. A two-across pattern is most common for #10-size packs.

Options include: Splice detectors, product tanks and controls, clean-in-place systems, a wide variety of code dating options, and fitment application version with the WF-25.



Winpak Lane, Inc.

998 S. Sierra Way, San Bernardino, CA 92408
 Tel: (909) 885-0715 • (800) 804-4224 • Fax: (909) 381-1934
 e-mail: sales@wli.winpak.com • www.winpak.com