

# FLUSH DIAPHRAGM LOW-PRESSURE TRANSMITTER

## STANDARD OR METRIC MODELS

**4 to 20 mA Output**  
**0-3 to 0-30 psi-Standard Models**  
**0-210 mbar to 0-1.6 bar-Metric Models**

1 bar = 14.5 psi  
 1 kg/cm<sup>2</sup> = 14.22 psi  
 1 atmosphere = 14.7 psi = 29.93 inHg = 760.2 mmHg = 1.014 bar

### PX42/PXM42 Series



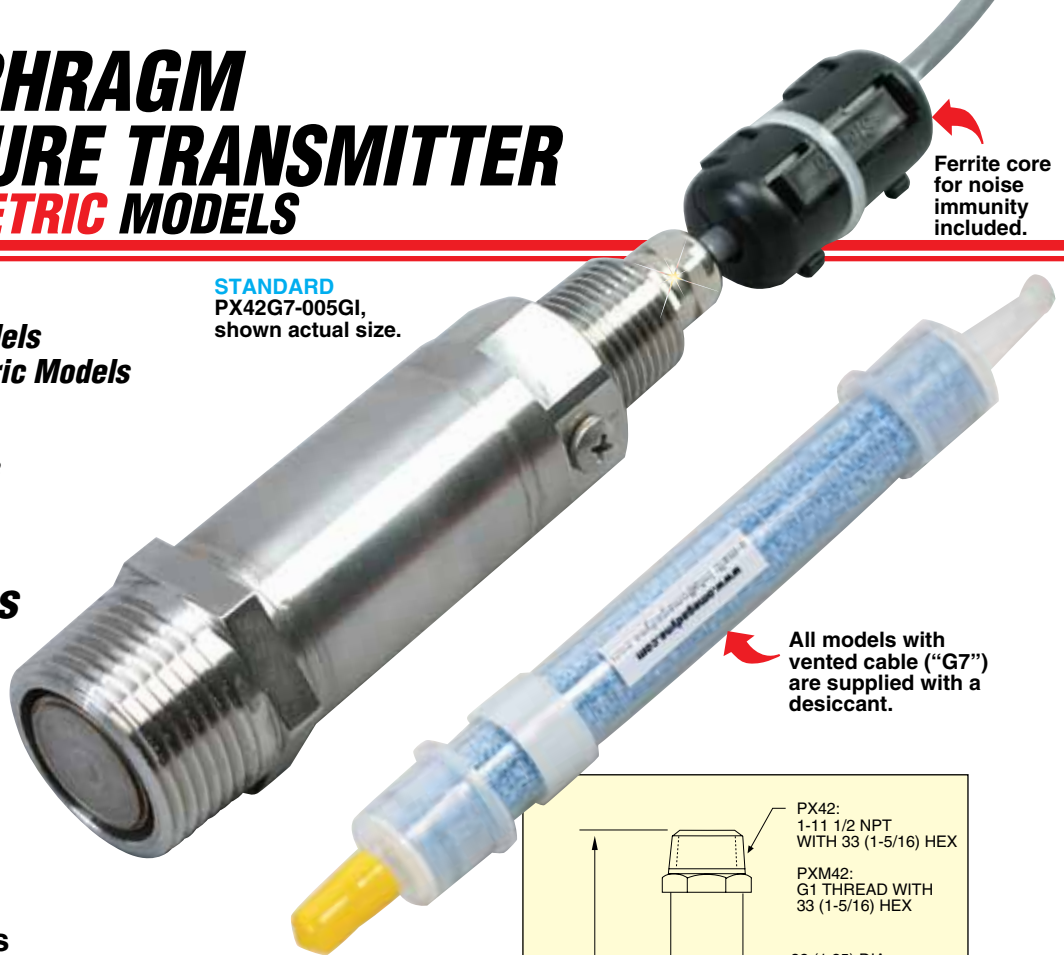
- ✓ **Stainless Steel Construction**
- ✓ **For Processing and Industrial Applications**
- ✓ **Large Flush Diaphragm for Plug-Free Measurement of Difficult Fluids**
- ✓ **3 m (10') Cable with Conduit Connection on Body for Installation in Harsh Environments**
- ✓ **4 to 20 mA**

OMEGA's PX42/PXM42 are high-accuracy, current output, industrial pressure transmitter with a specially designed flush diaphragm for use with industrial fluids and slurries that are difficult to measure because of sticking or plugging of orifices. Their hermetically sealed, all stainless steel construction makes them suitable for the harshest industrial environments.

### SPECIFICATIONS

**Excitation:** 12 to 40 Vdc  
**Output:** 4 to 20 mA ±10% adj  
**Zero Balance:** 4 mA +10% -2% FSO adj  
**Accuracy:** 0.25% linearity, hysteresis and repeatability combined  
**Operating Temp Range:** -54 to 121°C (-65 to 250°F)  
**Compensated Temp Range:** 16 to 71°C (60 to 160°F)  
**Thermal Effects:**  
**Span:** 0.009% of rdg/°C  
**Zero:** 0.009% of FSO/°C

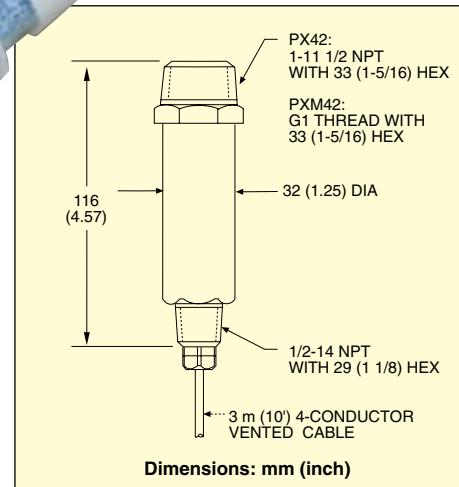
**STANDARD**  
 PX42G7-005GI,  
 shown actual size.



Ferrite core for noise immunity included.

All models with vented cable ("G7") are supplied with a desiccant.

**Proof Pressure:** 200% of capacity  
**Burst Pressure:** 500% of capacity  
**Wetted Parts:** 316 SS with Inconel® diaphragm  
**Pressure Port:** See dimensional drawing  
**Electrical Connection:** 3 m (10') 2-conductor vented cable with 1/2-14 NPT conduit fitting, with desiccant to protect vent from moisture



### To Order

RANGE		MODEL NO.	COMPATIBLE METERS*
psig	bar		
<b>1 NPT STANDARD MODELS</b>			
0 to 3	0 to 0.21	PX42G7-003GI	DP41-E, DP25B-E, DP24-E
0 to 5	0 to 0.34	PX42G7-005GI	DP41-E, DP25B-E, DP24-E
0 to 8	0 to 0.55	PX42G7-008GI	DP41-E, DP25B-E, DP24-E
0 to 10	0 to 0.69	PX42G7-010GI	DP41-E, DP25B-E, DP24-E
0 to 15	0 to 1.0	PX42G7-015GI	DP41-E, DP25B-E, DP24-E
0 to 30	0 to 2.1	PX42G7-030GI	DP41-E, DP25B-E, DP24-E
<b>G1 METRIC MODELS</b>			
0 to 400 mbar	0 to 5.8	PXM42MG7-400MBARGI	DP41-E, DP25B-E, DP24-E
0 to 1.0	0 to 14.5	PXM42MG7-001BARGI	DP41-E, DP25B-E, DP24-E
0 to 1.6	0 to 23	PXM42MG7-1.60BARGI	DP41-E, DP25B-E, DP24-E

Comes complete with 5-point NIST traceable calibration.

\* Visit us online for compatible meters.

**Ordering Examples:** PX42G7-003GI, 1 NPT unit with 3 psig range.  
 PXM42MG7-001BARGI, G1 metric unit with 1 bar range.