

# LOW-ENERGY BOTTLE WASHING MACHINE



## CB 10-1-RV-8,2 VdF ng

6.700 Bottles/hour

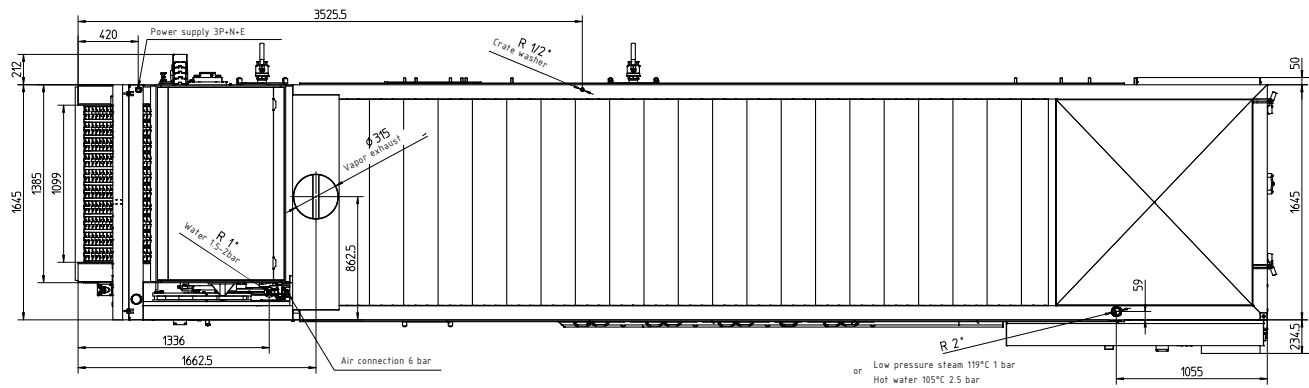
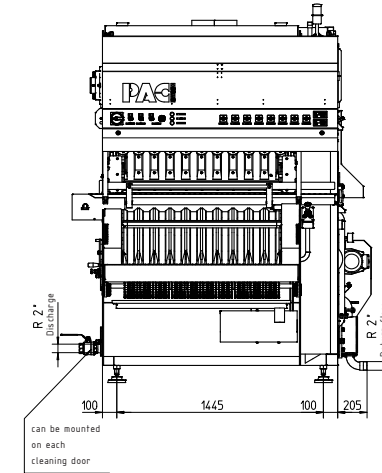
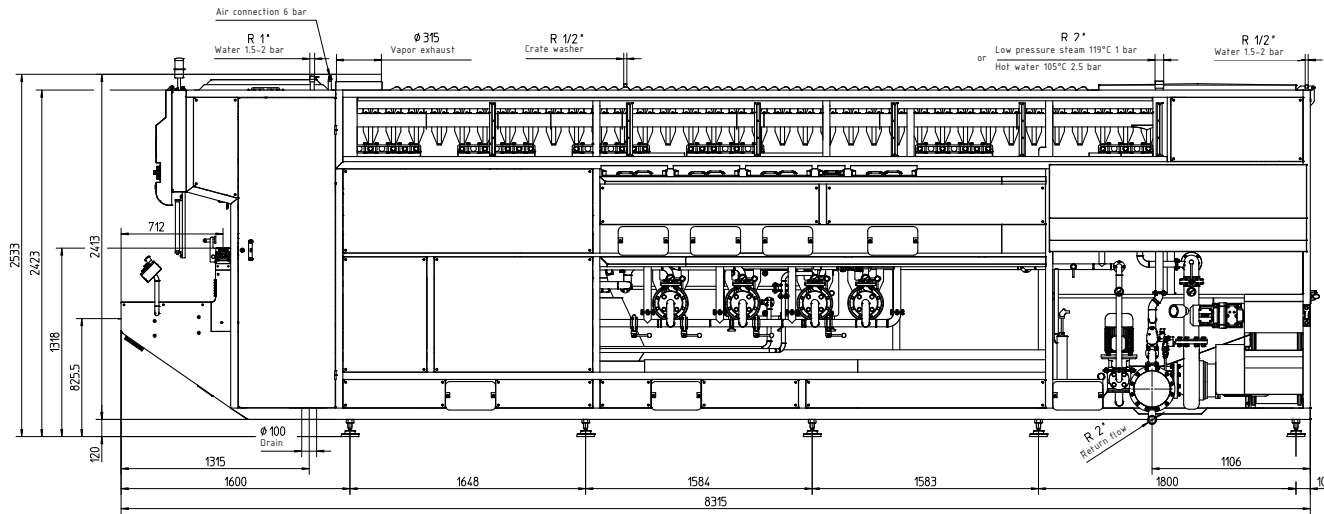


# LOW-ENERGY BOTTLE WASHING MACHINE

## Dimensions and connection chart

## CB 10-1-RV-8,2 VdF ng

6.700 Bottles/hour



### Space requirement (Scaled-up)

