

Fig. No. ZT-260 Two-Piece Screwed Body 6000PSI STAINLESS/CARBON STEEL BALL VALVES – FULL PORT

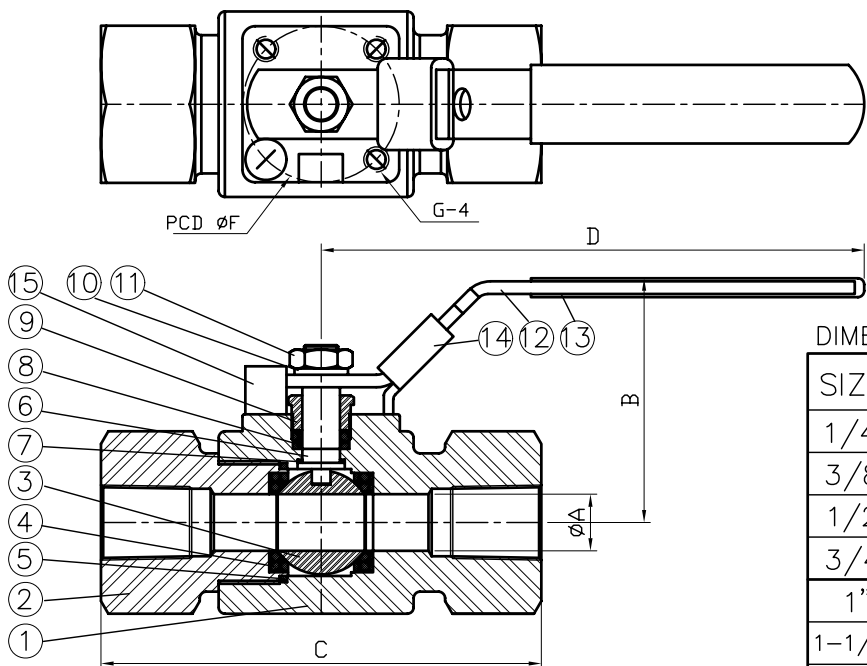
- * For food and general chemical service applications
- * Adjustable stem pack
- * Blow-out proof stem design
- * Body and end caps quality investment casting
- * Available in carbon or stainless steel body construction
- * 100% tested by air under water, at 100psi, open and closed positions
- * Actuator mounting pad

SPECIFICATIONS

- * Working pressure: 6000 CWP
- * Temperature Range: -20° to 450°F
- * End Type: Threaded

OPTIONS

- * Padlocking device

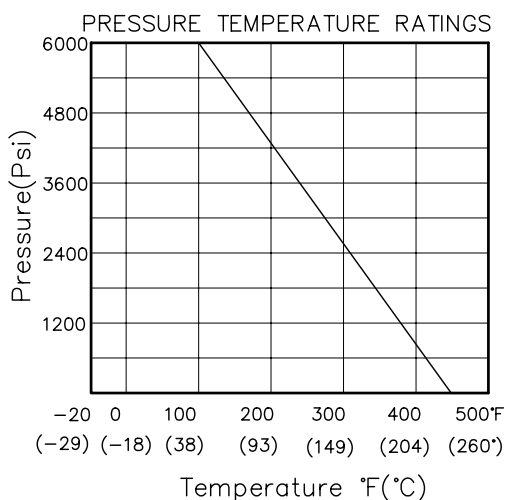


DIMENSIONS (mm)

SIZE	ØA	B	C	D	ØF	G
1/4"	6.4	56	76.3	129	36	M5x0.8P
3/8"	9.6	56	76.3	129	36	M5x0.8P
1/2"	12.7	56	101.4	129	36	M5x0.8P
3/4"	20	68	108.2	150	42	M5x0.8P
1"	25.4	88	114.4	205	42	M5x0.8P
1-1/2"	38.1	113	133.3	260	50	M6x1.0P
2"	50	113	168.7	260	50	M6x1.0P

MATERIALS LIST

NO	PART NAME	SPECIFICATION
1	BODY	A351 CF8M / A216 WCB
2	END CAP	A351 CF8M / A216 WCB
3	BALL	A351 CF8M
4	BALL SEAT	DELIN
5	BODY SEAL	DELIN
6	STEM	SUS316
7	THRUST WASHER	DELIN
8	STEM PACKING	DELIN
9	GLAND NUT	SUS304
10	HANDLE WASHER	SUS304
11	HANDLE NUT	SUS304
12	HANDLE	SUS304
13	HANDLE COVER	PVC
*14	LOCKING PLATE	SUS304
15	STDP PIN	SUS304



ZHE THAI MACHINERY CO., LTD.