

Fig.No. ZT-302TC Three-Piece Maintenance 1000PSI STAINLESS STEEL SANITARY BALL VALVES

- * For food and general chemical service applications
- * Adjustable stem pack
- * Blow-out proof stem design
- * Body and end caps quality investment casting
- * In-line repairable
- * Available in stainless steel body construction
- * 100% tested by air under water, at 100psi, open and closed positions

SPECIFICATIONS

- * Working pressure: 1/2"~2" 1000psi W.O.G
2-1/2"~3" 800psi W.O.G
4" 600psi W.O.G
- * Temperature Range: -20 to 450°F
- * End Type: T-clamp

OPTIONS

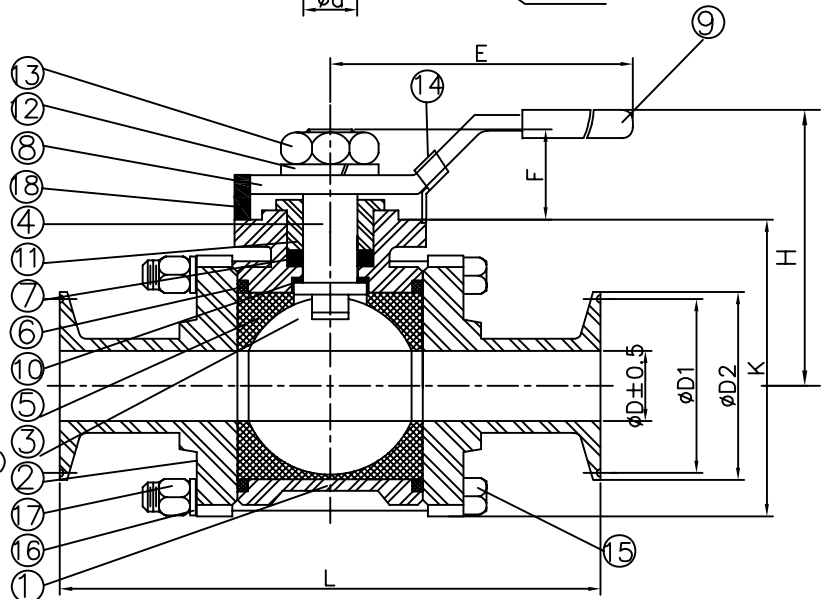
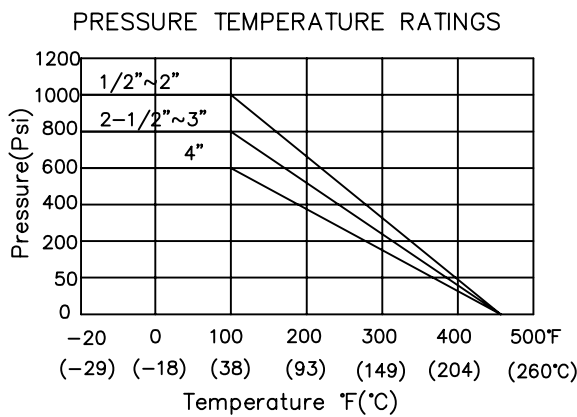
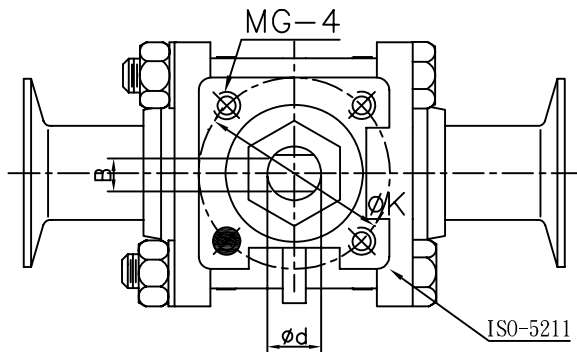
- * Padlocking device
- * Actuator mounting bracket

MATERIALS LIST

NO	PART NAME	SPECIFICATION
1	BODY	ASTM A351 GR.CF8M
2	END CAP	ASTM A351 GR.CF8M
3	BALL	ASTM A351 GR.CF8M
4	STEM	SS316
5	BALL SEATS	PTFE
6	END SEAL	PTFE
7	STEM PACKINGS	PTFE
8	HANDLE	SS304
9	HANDLE SLEEVE	VINYL GRIP
10	THRUST WASHER	PTFE
11	GLAND	SS304
12	HANDLE WASHER	SS304
13	HANDLE NUT	SS304
14	LOCKING PLATE	SS304
15	BOLTS	SS304
16	BOLT WASHERS	SS304
17	BOLT NUTS	SS304
18	STOP PIN	SS304

DIMENSIONS (mm)

SIZE	∅D	∅D1	∅D2	L	H	ISO 5211	∅K	G	B	∅d	E	F	K
1/2"	9.5	20.2	25	89	61	FOR F03	36	M5	6.5	9.5	121	21	54
3/4"	15.9	20.2	25	101	63	FOR F03	36	M5	6.5	9.5	121	21	60
1"	22.2	43.6	50.4	114	72	FOR F04	42	M5	8	12	151	24	66
1 1/4"	28.5	43.6	50.4	120	78	FOR F04	42	M5	8	12	151	24	72
1 1/2"	34.9	43.6	50.4	140	87	FOR F05	50	M6	10	16	178	30	86
2"	47.5	56.3	63.9	156	95	FOR F05	50	M6	10	16	178	30	103
2 1/2"	60.3	70.6	77.4	197	132	FOR F07	70	M8	12	19	265	35	132
3"	73	83.3	90.9	229	146	FOR F10	102	M10	12	19	265	32.5	156
4"	97.4	110.3	118.9	243	172	FOR F10	102	M10	15	22	290	48	217



ZHE THAI MACHINERY CO., LTD.