

Fig.No. ZT-301TC Three-Piece 1000PSI STAINLESS STEEL SANITARY BALL VALVES

- * For food and general chemical service applications
- * Adjustable stem pack
- * Blow-out proof stem design
- * Body and end caps quality investment casting
- * In-line repairable
- * Available in stainless steel body construction
- * 100% tested by air under water, at 100psi, open and closed positions

SPECIFICATIONS

- * Working pressure: 1/2"~2" 1000 psi W.O.G
2-1/2"~3" 800 psi W.O.G
4" 600 psi W.O.G
- * Temperature Range: -20 to 450°F
- * End Type: T-clamp

OPTIONS

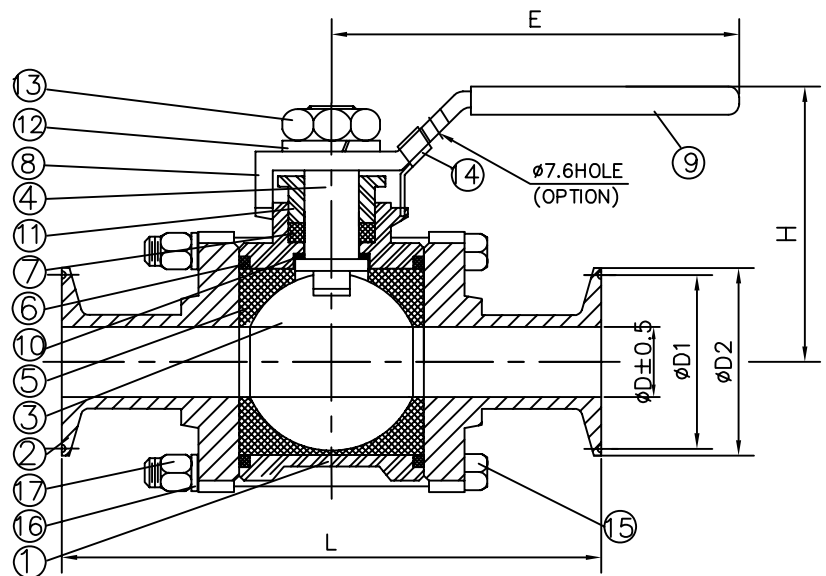
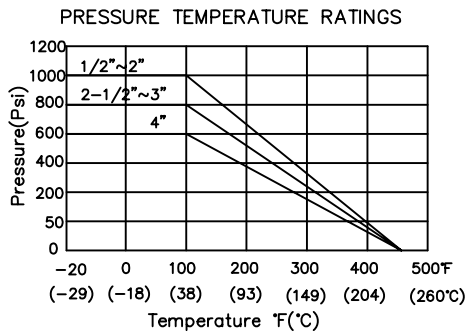
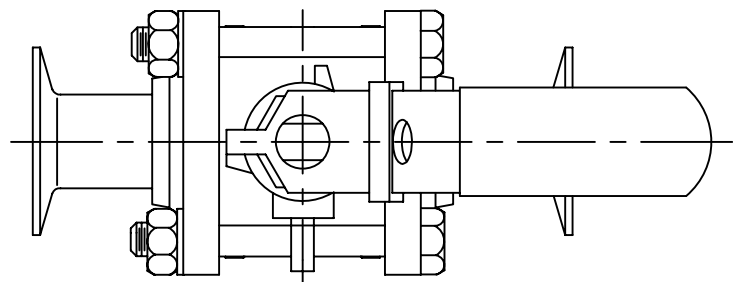
- * Padlocking device

MATERIALS LIST

NO	PART NAME	SPECIFICATION
1	BODY	ASTM A351 GR.CF8M
2	END CAP	ASTM A351 GR.CF8M
3	BALL	ASTM A351 GR.CF8M
4	STEM	SS316
5	BALL SEATS	PTFE
6	END SEAL	PTFE
7	STEM PACKINGS	PTFE
8	HANDLE	SS304
9	HANDLE SLEEVE	VINYL GRIP
10	THRUST WASHER	PTFE
11	GLAND	SS304
12	HANDLE WASHER	SS304
13	HANDLE NUT	SS304
*14	LOCKING PLATE	SS304
15	BOLTS	SS304
16	BOLT WASHERS	SS304
17	BOLT NUTS	SS304

DIMENSIONS (mm)

SIZE		D	D1	D2	L	H	E
DN15	1/2"	9.5	20.2	25	89	58	120
DN20	3/4"	15.9	20.2	25	101	60	120
DN25	1"	22.2	43.6	50.4	114	70	148
DN32	1 1/4"	28.5	43.6	50.4	120	75	148
DN40	1 1/2"	34.9	43.6	50.4	140	86	164
DN50	2"	47.5	56.3	63.9	156	93	164
DN65	2 1/2"	60.3	70.6	77.4	197	130	248
DN80	3"	73	83.3	90.9	229	137	248
DN100	4"	97.4	110.3	118.9	243	180	290



ZHE THAI MACHINERY CO., LTD.