

Fig.No. ZT-202 Two-Piece Screwed Body, With Female Tapped Boss 1000PSI STAINLESS/CARBON STEEL BALL VALVES – FULL PORT

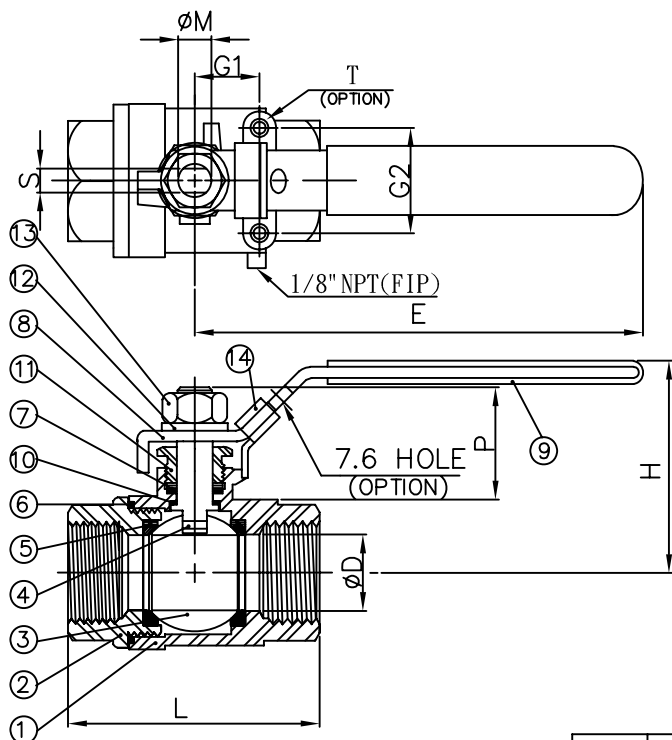
- * For food and general chemical service applications
- * Adjustable stem packing
- * Blow-out proof stem design
- * Body and end caps quality investment casting
- * Available in carbon or stainless steel body construction
- * Designed for easy actuator mounting
- * 100% tested by air under water, at 100psi, open and closed positions

SPECIFICATIONS

- * Working pressure: 1000psi W.O.G
- * Temperature Range: -20° to 450°F
- * End Type: Threaded

OPTIONS

- * Padlocking device



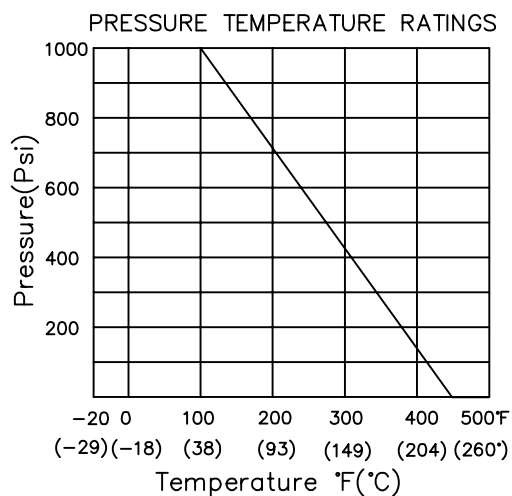
DIMENSIONS (mm)

SIZE	d	E	H	G1	G2	L	P	S	øM	T (UNC)	W(kg)	Cv FACTOR
1/4"	11.6	100	50	12.7	28.5	54.4	23.5	5	8	3/16-24	0.26	6.0
3/8"	12.5	100	50	12.7	28.5	54.4	22.5	5	8	3/16-24	0.24	12.0
1/2"	15.0	120	56	12.7	28.5	59.7	27	6.5	9.5	3/16-24	0.36	19.0
3/4"	20.0	120	60	22.1	34.8	71.0	27	6.5	9.5	3/16-24	0.52	37.0
1"	25.0	148	70	22.1	34.8	82.8	36.5	8	12	3/16-24	0.85	64.0
1 1/4"	32.0	148	75	23.6	38.1	92.1	35.5	8	12	3/16-24	1.30	103
1 1/2"	38.0	164	84	23.6	38.1	111	41	10	16	1/4-20	1.90	143
2"	50.0	164	94	23.6	38.1	125	41	10	16	1/4-20	2.95	360

MATERIALS LIST

NO	PART NAME	SPECIFICATION
1	BODY	ASTM A351 GR.CF8M/A216 WCB
2	END CAP	ASTM A351 GR.CF8M/A216 WCB
3	BALL	ASTM A351 GR.CF8M/CF8
4	STEM	SS316
5	BALL SEATS	PTFE
6	END SEAL	PTFE
7	STEM PACKINGS	PTFE
8	HANDLE	SS304
9	HANDLE SLEEVE	VINYL GRIP
10	THRUST WASHER	PTFE
11	GLAND	SS304
12	HANDLE WASHER	SS304
13	HANDLE NUT	SS304
*14	LOCKING PLATE	SS304

* optional



ZHE THAI MACHINERY CO., LTD.