

Item description/product images

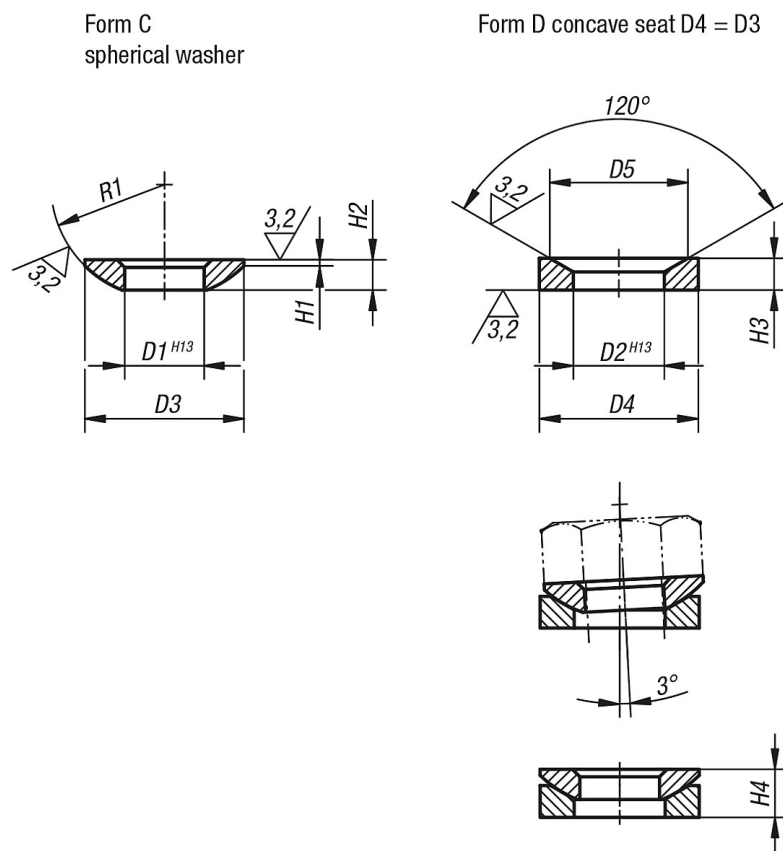


Description

Material:
Stainless steel 1.4401.

Version:
Bright.

Drawings



Overview of items

Order No.	Form	D1	For screws with thread	D3	H1	H2	R1
80-115-1	C	10,5	M10	21	0,8	4	15
80-115-2	C	17	M16	30	1,3	5,3	22
80-115-3	C	21	M20	36	2	6,3	27
80-115-4	C	25	M24	44	2,4	8,2	32

Order No.	Form	D2	For screws with thread	D4	D5	H3	H4
80-116-1	D	12	M10	21	18,5	4,2	6,3
80-116-2	D	19	M16	30	26	6,2	9,3
80-116-3	D	23,2	M20	36	31	7,5	11,5
80-116-4	D	28	M24	44	37	9,5	15

80-115 / 80-116

Spherical washers concave seat DIN 6319 - 1.4401

Overview of items
