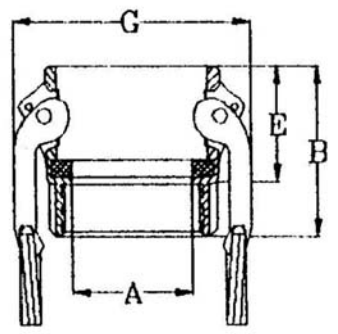


0.1 ±0.1	▽	Ra
0.2 ±0.2	▽	JIS
1.6 ±0.3	▽	
6.3 ±0.5	▽	
25 ±0.8	▽	

0.5~5 ±0.1	GENERAL TOLERANCE
6~30 ±0.2	
31~120 ±0.3	
121~320 ±0.5	
321~1000 ±0.8	

HAITIMA CORPORATION
 P.O.BOX 34-36 TAIPEI
 Tel:+886-2-26585800
 E-mail:haitima@seed.net.tw
 TAIWAN R.O.C. www.haitima.com.tw
 Fax:+886-2-26582266

PART D



Size	1/2"	3/4"	1"	1-1/4"	1-1/2"	2"	2-1/2"	3"	4"	6"
Size of Thread	1/2"	3/4"	1"	1-1/4"	1-1/2"	2"	2-1/2"	3"	4"	6"
G: Max O.D.	45.7	53.3	60.9	82.6	90.3	99.8	112.4	137.6	165.6	238.3
B: Overall Length	49.5	51	58.64	67.5	67	72.2	85.64	86.5	88.8	103.5
E: Exposed Length	31.4	32	39	44.5	45	50	54.3	55.5	55.5	65.5
A: Min. I.D.	18	21	25	34.9	39	50.8	63	76.2	100.8	152.6

unit:mm



CHECK BY	DRAWING BY	DATE	SPECIFICATION	Cam & Groove Couplers & Adapters
	<i>Sammy</i>	Apr.21.2014	MATERIAL	SS 316
			PROCESS/Nr.	
			UNIT / SCALE	mm

Revise	Description	Date	Approve
DRAWING NO. FK-05		-14	