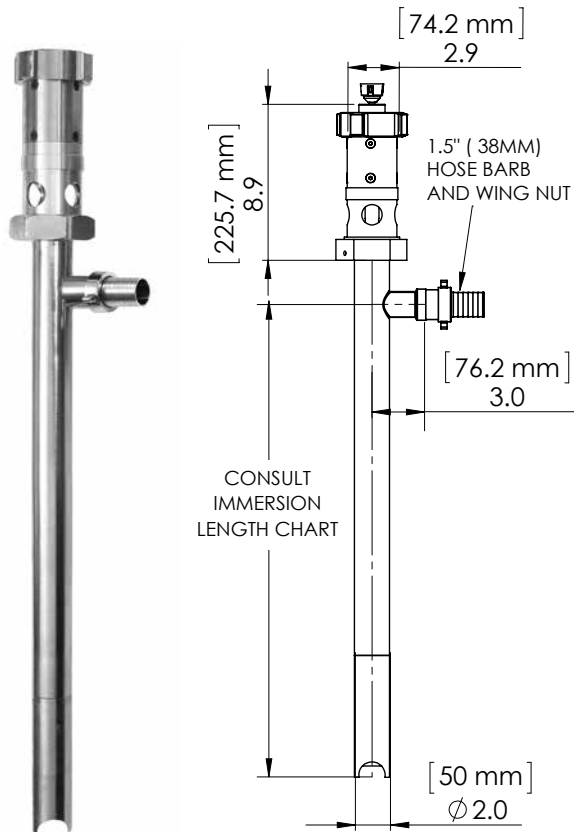


Industrial Progressive Cavity Drum Pumps

SP-700SR SERIES



| TUBE MODEL | ASSEMBLY | IMMERSION LENGTH | STATOR MATERIAL | SHIPPING WT lbs (kg) |
|-------------------|----------|------------------|-----------------|----------------------|
| SP-700SR-751B-27 | SS316 | 27" (700 mm) | Buna | 17.0 (7,7) |
| SP-700SR-751P-27 | SS316 | 27" (700 mm) | PTFE | 17.0 (7,7) |
| SP-700SR-751V-27 | SS316 | 27" (700 mm) | Viton® | 17.0 (7,7) |
| SP-700SR-752B-27 | SS316 | 32" (810 mm) | Buna | 19.0 (8,6) |
| SP-700SR-752P-27 | SS316 | 32" (810 mm) | PTFE | 19.0 (8,6) |
| SP-700SR-752V-27 | SS316 | 32" (810 mm) | Viton® | 19.0 (8,6) |
| SP-700SR-1851B-27 | SS316 | 34" (860 mm) | Buna | 22.0 (10,0) |
| SP-700SR-1851P-27 | SS316 | 34" (860 mm) | PTFE | 22.0 (10,0) |
| SP-700SR-1851V-27 | SS316 | 34" (860 mm) | Viton® | 22.0 (10,0) |
| SP-700SR-751B-39 | SS316 | 39" (1000 mm) | Buna | 20.0 (9,0) |
| SP-700SR-751P-39 | SS316 | 39" (1000 mm) | PTFE | 20.0 (9,0) |
| SP-700SR-751V-39 | SS316 | 39" (1000 mm) | Viton® | 20.0 (9,0) |
| SP-700SR-752B-39 | SS316 | 44" (1120 mm) | Buna | 22.0 (10,0) |
| SP-700SR-752P-39 | SS316 | 44" (1120 mm) | PTFE | 22.0 (10,0) |
| SP-700SR-752V-39 | SS316 | 44" (1120 mm) | Viton® | 22.0 (10,0) |
| SP-700SR-1851B-39 | SS316 | 39" (1000 mm) | Buna | 23.0 (10,5) |
| SP-700SR-1851P-39 | SS316 | 39" (1000 mm) | PTFE | 23.0 (10,5) |
| SP-700SR-1851V-39 | SS316 | 39" (1000 mm) | Viton® | 23.0 (10,5) |
| SP-700SR-751B-47 | SS316 | 47" (1200 mm) | Buna | 23.0 (10,5) |
| SP-700SR-751P-47 | SS316 | 47" (1200 mm) | PTFE | 23.0 (10,5) |
| SP-700SR-751V-47 | SS316 | 47" (1200 mm) | Viton® | 23.0 (10,5) |
| SP-700SR-752B-47 | SS316 | 52" (1320 mm) | Buna | 24.0 (11,0) |
| SP-700SR-752P-47 | SS316 | 52" (1320 mm) | PTFE | 24.0 (11,0) |
| SP-700SR-752V-47 | SS316 | 52" (1320 mm) | Viton® | 24.0 (11,0) |
| SP-700SR-1851B-47 | SS316 | 47" (1200 mm) | Buna | 23.0 (10,5) |
| SP-700SR-1851P-47 | SS316 | 47" (1200 mm) | PTFE | 23.0 (10,5) |
| SP-700SR-1851V-47 | SS316 | 47" (1200 mm) | Viton® | 23.0 (10,5) |

Technical Specifications

Design:.....Progressive Cavity / Positive Displacement

Maximum Viscosity:

751 & 752 Series 25,000 cps (mPas)

1851 Series..... 10,000 cps (mPas)

Discharge Port:..... 1.5" (38 mm) Hose Barb

Optional 1.25 (32mm) Hose Barb Exposed Threads G 1.50"

Stator Materials: PTFE, Viton® or Buna

Mechanical Seal: SiC/Viton®/SiC

Immersion Lengths: Carboys – 27" (700 mm)

Drums – 39" (1000 mm)

Tote Tanks – 47" (1200 mm)

Wetted Material:

Tube & Rotor Assembly:316 Stainless Steel

Stator Material:..... PTFE, Viton®, or Buna

Motor Drives:..... TEFC & Explosion Proof

Fittings:..... Threaded design enables operator to disassemble pump quickly for cleaning, maintenance and inspection

Maximum Flow Rate:

1851 Series..... 12 GPM (45 LPM) based on water

751 & 752 Series 7 GPM (26 LPM) based on water

Maximum Discharge Pressure:

751 & 1851 Series 87 psi (6 bar)

752 Series..... 174 psi (12 bar)

Maximum Temperature:

PTFE & Viton® Stator 300° F (148° C)

Buna Stator 185° F (85° C)

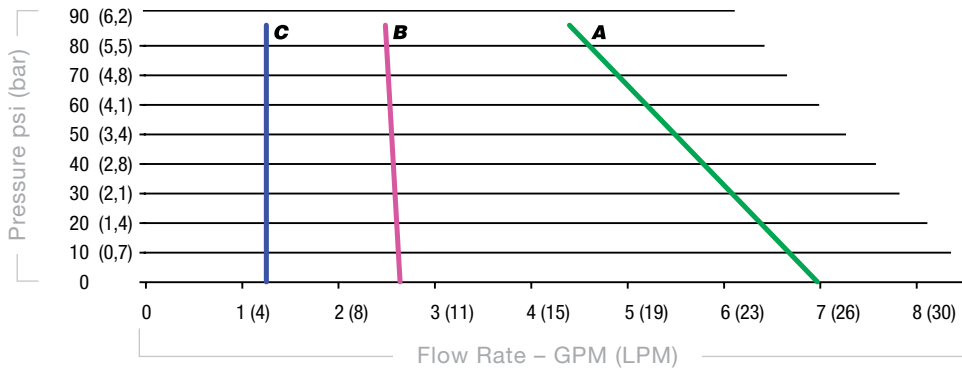
Maximum Solid Size:.....0.25" (6 mm)

Industrial Progressive Cavity Drum Pumps

SP-700SR SERIES

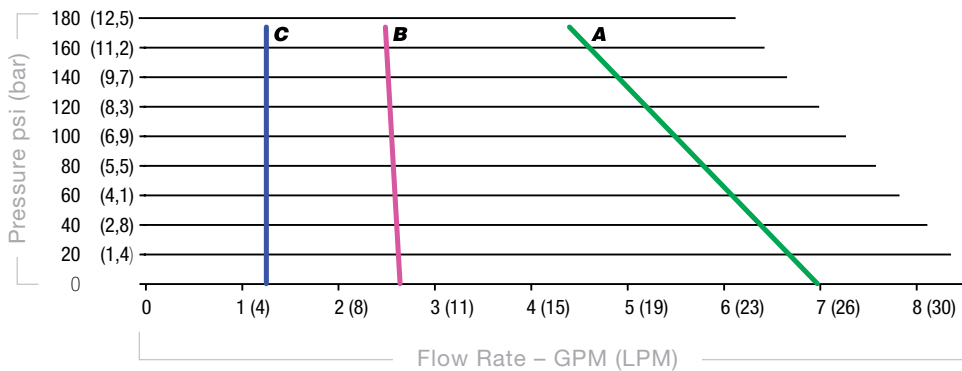
Performance Curves

751 Series Pumps



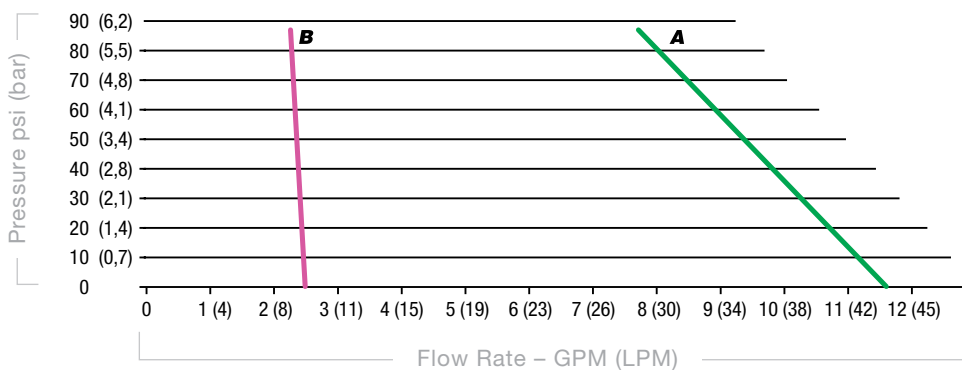
| Viscosity cps (mPas) | Electric Motor |
|----------------------|------------------------------|
| A 1 | SP-ENC Series, SP-400 Series |
| B 10,000 | SP-ENC Series, SP-400 Series |
| C 25,000 | SP-ENC Series, SP-400 Series |

752 Series Pumps



| Viscosity cps (mPas) | Electric Motor |
|----------------------|------------------------------|
| A 1 | SP-ENC Series, SP-400 Series |
| B 10,000 | SP-ENC Series, SP-400 Series |
| C 25,000 | SP-ENC Series, SP-400 Series |

1851 Series Pumps



| Viscosity cps (mPas) | Electric Motor |
|----------------------|------------------------------|
| A 1 | SP-ENC Series, SP-400 Series |
| B 10,000 | SP-ENC Series, SP-400 Series |

STANDARD
Pumps, Inc.

www.standardpump.com

Toll Free: 1-866-558-8611

Tel 770-307-1003