

Product Information

**Flow Meter
UK-047**



- Frontal scale imprint
- Dual scale l/min and l/h

Characteristics

A float moves in a transparent conical measurement tube, relative to the flow. The position of the float depends on the volume flow (weight force versus resistance to flow), and indicates the flow rate on the scaled measurement tube.

Technical data

Switch	without	
Nominal width	DN 15	
Process connection	female thread 1/2" NPT	
Metering range	2..1500 l/min	for details see table "Ranges"
Q_{max.}	to 1800 l/min	
Tolerance	±3 % of full scale value	
Pressure resistance	PN 6 bar	
Medium temperature	-20..+65 °C	
Ambient temperature	-20..+65 °C	
Media	water, gases	
Electrical data	none	
Materials medium-contact	acrylic, aluminium, 1.4305, PVC, NBR	
Non-medium-contact materials	acrylic, PVC, CW614N	
Weight	0.35 kg	
Installation location	vertical inwards flow from below	

Ranges

Medium water

The details in the table correspond to a vertical inwards flow from below.

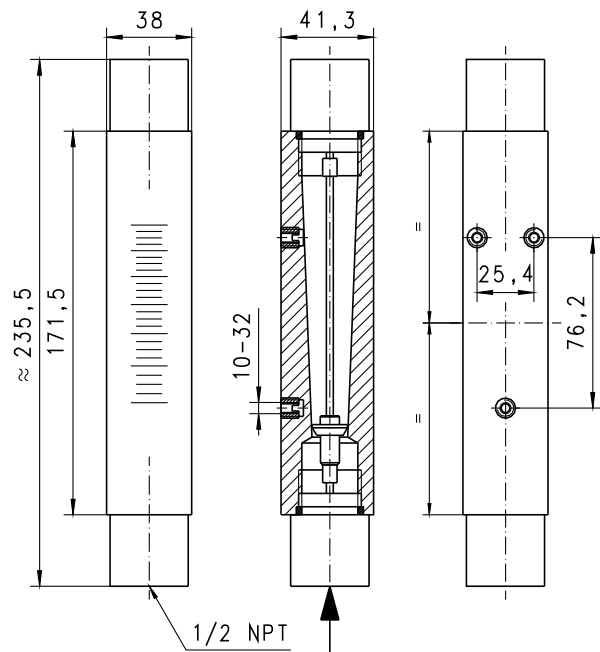
Metering range		Q _{max.} recommended	Type
l/min	l/h		
2 - 10	120 - 600	12 l/min	UK-047GHW0010
2 - 20	120 - 1200	24 l/min	UK-047GHW0020
4 - 40	240 - 2400	48 l/min	UK-047GHW0040

Medium air

The details in the table correspond to a vertical inwards flow from below, with the medium at a temperature of 0 °C and a pre-pressure of 1.013 bar.

Metering range		Q _{max.} recommended	Type
NI/min	NI/h		
80 - 340	4800 - 20400	400 NI/min	UK-047GHL0034
100 - 700	6000 - 42000	850 NI/min	UK-047GHL0070
150 - 1500	9000 - 90000	1800 NI/min	UK-047GHL0150

Dimensions



Product Information

Handling and operation

- Include straight calming section of 5 x DN in inlet and outlet
- If the media are dirty, install a filter

Ordering code

UK -
 UK -

1. Series		
047	047, 1/2" NPT	
2. Process connection		
G	female thread	
3. Connection material		
H	PVC	
4. Display range H₂O for vertical inwards flow		
W0010	2 - 10 l/min	120 - 600 l/h
W0020	2 - 20 l/min	120 - 1200 l/h
W0040	4 - 40 l/min	240 - 2400 l/h
Display range air (0 °C 1.013 bar abs.) for vertical inwards flow		
L0034	80 - 340 NI/min	4800 - 20400 NI/h
L0070	100 - 700 NI/min	6000 - 42000 NI/h
L0150	150 - 1500 NI/min	9000 - 90000 NI/h

Options

- Metering ranges and special scales under defined operating pressures / temperatures
- Seal made of FKM

Ordering information

- Specify direction of flow, medium, and display range.
- For gases, state pressure (relative or absolute), temperature and medium (e.g. air) (request display range)