

Doboy CBS-D Continuous Band Sealer

Innovative Band Sealer for
Multi-Shift Production Requirements



BOSCH

Invented for life

Doboy CBS-D Band Sealer

Quality, Performance, Versatility



Industrial Quality

Equipped to meet the needs of full-scale production environments, the CBS-D has been designed from the ground up and features the latest that technology has to offer. Special attention has been given to enhancing performance and dramatically reducing maintenance and setup times. The CBS-D can be configured for a wide variety of bag sizes, environments and products.

Outstanding Features:

Single Point Gap Adjustment

Heating and cooling bars are mounted to a special indexing plate with a dial indicator readout to allow the bars' spacing from one central point. This eliminates the need to adjust each bar individually, saving time and providing precision adjustments.

Bag Top Control

Full length, 12mm wide, urethane timing belts securely grip the bag top and provide positive timing and speed control throughout the entire length of the sealer.

Glass Teflon Sealing Bands

Provides better seals on gusseted bags and a dramatic reduction in machine maintenance and heating and cooling bar wear. The CBS-D has been designed to provide rapid band changes, with no tool required. Bands can be replaced in under two minutes!

AC Frequency Variable Speed Drive

Machine speed can be adjusted from the control panel, with no belts or pulleys to adjust. In addition, main drive is gear driven, so there are no chains or sprockets to wear out.

Quick Change Sealing Section

The entire sealing section can be removed in a matter of minutes for servicing or replacement, downtime is virtually eliminated.

Imbedded Thermocouples

Thermocouples are contained within the heater cartridge to provide the most accurate method of sensing bar temperature. Two precision digital temperature controls accurately control sealing temperature.

Main Frame

Main frame components are constructed from painted or stainless steel and aluminum plate. The floor stand is a tubular steel welded unit with a hand crank vertical height adjustment. Guards are sheet metal and Lexan. Like previous models, the CBS-D is built to last.

Heating and Cooling Bars

Both the heating and cooling bars have a super hard (57 Rockwell™) surface treatment that virtually eliminates wear. The bars have an exclusive over-travel limit to increase sealing and machine life. The air cooling manifold is more efficient for more cooling capacity.

Meeting Industry Needs

All machines are wired to meet NEMA 12 standards and current industry codes. The control panel is configured for easy accessibility in any operating position. The CBS-D is available in a wide range of voltages and optional area classifications.

Doboy CBS-D Band Sealer

Providing a Wide Range of Features

Sealing Section

- ▶ **Heat Bars** - Two pair of 7.5" long (15" total) precision machined aluminum heat bars produce a 1/4" seal width. The heat bars are spring loaded and are adjustable for different bag thicknesses. Ceramic insulators contain the heat within the heat bars.
- ▶ **Compression Wheels** - One pair of adjustable, spring loaded compression wheels create the pressure needed to seal gusseted bags with ease.
- ▶ **Cooling Bars** - One pair of 5" long air cooled cooling bars, spring loaded and adjustable.



The CBS-D seals a wide range of bag styles for a variety of applications

Standard Machine Features:

Bag Top Control

- ▶ Full length, non-marking, 1/2" urethane carrier belts grip the bag top and transport it through the entire length of the sealer. Bags weighing less than two pounds do not require a support conveyor.



Carrier Belts

Quality Seals

- ▶ The CBS-D is equipped with fully adjustable heat bars, compression section and cooling bars.
- ▶ Quality components provide quality seals.



Sealing Section

Safe, Easy Access

- ▶ Front guard door with safety interlock, stops the machine when opened and provides access to the entire sealing section.



Safety



Accurate Temperature Control

Precision Temperature Control

- ▶ Precision digital temperature controller mounted on the operator panel. The heat bars reach temperature in minutes and maintain the set point resulting in error-free seals.



Variable Speed Drive

Variable Speed Drive

- ▶ Main drive AC variable speed frequency drive and motor are accurate, dependable and maintenance free. Direct drive design means nothing to lubricate and no belts or chains to replace.



Adjustable Height

Simple Operation

- ▶ Adjustable height floor stand with hand crank for easy operation. Two post, robust design is built to last in challenging environments.

Doboy CBS-D Band Sealer

Machine Specifications

A wide variety of options

The CBS-D is available in both vertical and horizontal versions and in two feed directions. A wide selection of options are available and include:

- ▶ Emboss or ink coders
- ▶ Integrated conveyors
- ▶ Bag top trimmer
- ▶ Bag counter
- ▶ Stainless steel construction
- ▶ Right to left or left to right feed direction
- ▶ 3/8" + 1/2" seal width
- ▶ Additional temperature controllers
- ▶ Custom options, per application



Ink Coder



Emboss Coder

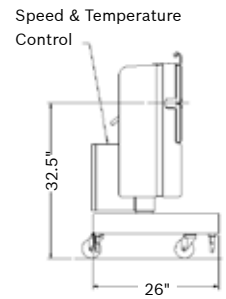
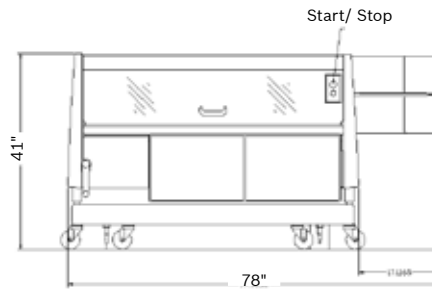
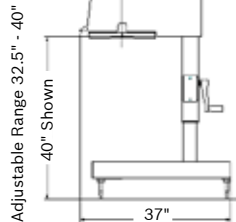
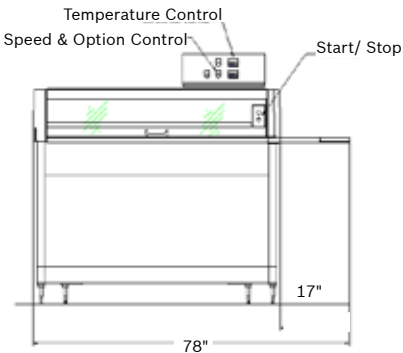
Specifications

Machine Size	Vertical	Horizontal
Length	77.4" (1965mm)	78.0" (1981mm)
Width	37" (940mm)	27" (686mm)
Height (Variable) floor to belt	57.2" - 71.2" (1450mm - 1800mm)	32.5" - 40" (825.5mm - 1016mm)
	Add 5" for casters	Add 5" for casters
Weight	700 lbs.	700 lbs.

Specifications	
Production Speed	350" to 1200" / minute
Product Range	All heat sealable materials, tube style or gusseted
Sealing Bands	Glass Teflon
Sealing Width	.25" standard
Heat Bars	Two pair 15.75" (400mm) long
Compression	Adjustable pressure roller
Cooling	One pair of air cooled bars
Main Drive	AC drive / frequency control
Temperature Control	Two precision digital controls
Electrical	220 volt, 60 hz, 1 phase NEMA 12

Vertical Format

Horizontal Format



Bosch Packaging Technology, Inc.

869 South Knowles Avenue
 New Richmond, WI 54017 USA
 Phone (715) 246-6511
 Fax (715) 246-6539
 sales.packaging-nrd@bosch.com
 www.boschpackaging.com/nrd