

DATA SHEET

DM SprayShield™ by JETAIR™

The DM SprayShield is the most efficient, compact, and high-performing drying system for low to medium speed lines and small scale drying applications. The DM is an ideal solution for bottling and can lines at speeds of 60-600cpm.

Drying Station for Pre-Coding, Vision Inspection, and Neck Labeling

Prevent Rust under Crowns

Integrated Mechanical and Electrical

Overspray Protection

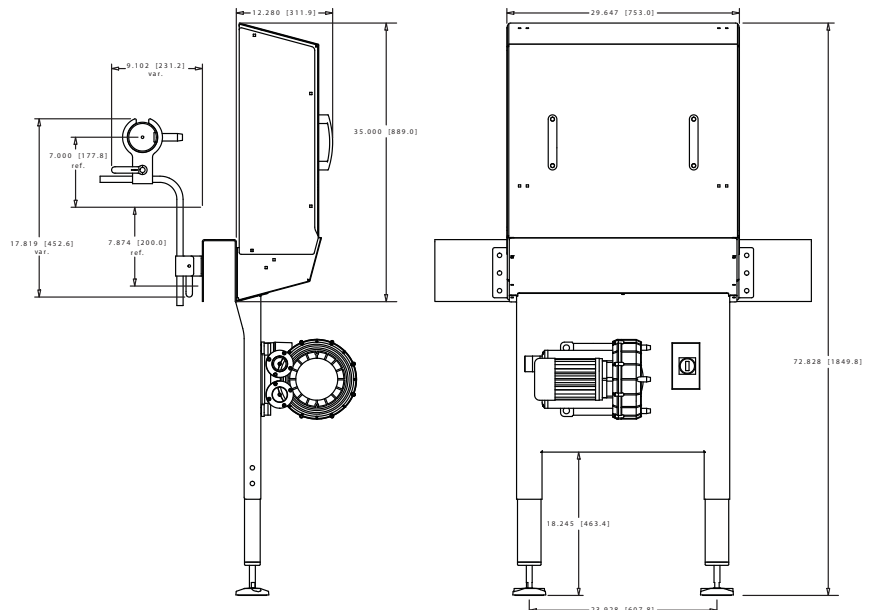
Simple Installation - Bolts Directly to Conveyor

Tool-less Air Component Adjustment

Rugged Stainless Steel Construction

Low Energy Consumption

Available in Multiple Configurations



JETAIR™

TECHNOLOGIES, LLC

1756 Eastman Ave., #100, Ventura CA 93003
805-654-7000 main, 805-654-7064 facsimile
www.jetairtech.com or sales@jetairtech.com