

Vena® Sil 240 (Elbows)

Ref: DO 03.10 FT 09. Rev. 09
Date: 02/03/2016



Limitations

Respect the work pressure established values.

Gas oil and oil stains do not damage the tubes but they should not be used to transport fuel or oil, nor be submerged in these liquids.

This type of tube is not recommended for applications with negative pressure (vacuum).

This product is not recommended for the transport of abrasive particles.

Regulations

- Meets or exceeds operating requirements of SAE J20 R1 Class A.
- The burning, smoke and dripping class of this reference is S-3, SR-2 and ST-2 according to DIN 54837:2007 test standard and DIN 5510-2:2009 classification standard.
- This reference is classified by UL94 as V1.
- Silicone rubber used is in accordance with EU Directive 2002/95/ECC for Restriction of the use of hazardous substances (RoHS).

Applications

This product is especially recommended for the pressurized air or water conduction at high temperatures, it can be used in vehicles and in the industrial sector.

For using in cooling and heating systems in buses, coaches, lorries and industrial vehicles, cooling systems in cogeneration units and marine engines, and transport of high temperature fluids in general industry.

It is recommended for connections in areas with limited space.

Properties

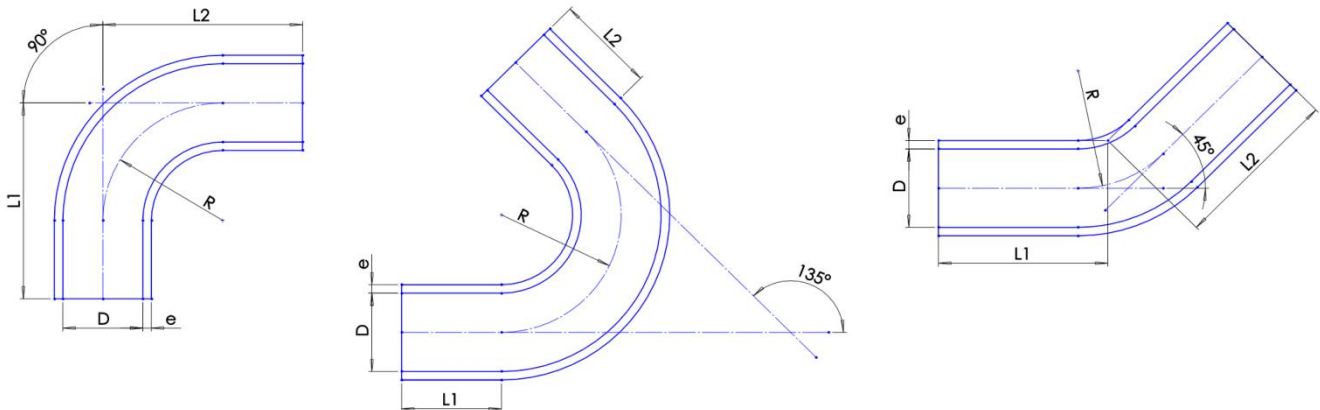
- Not affected by anti-freeze or anti-rust liquids.
- Highly resistant to hardening with very good compression characteristics.
- Excellent flexibility during the assembly process.
- Smooth inner and outer appearance, and blue color. Upon request, it can also be supplied in other colors.
- Operational temperature range from -60 °C (-75 F) to +180°C (356 F), it may reach up to 200°C (392 F) during short periods of time.
- Manufactured with inner diameters ranging between 6mm and 100mm, usually at angles of 45°, 90° and 135° and standard arm lengths (L1 and L2) of 100x100mm, 150x150mm or 200x200mm, although they can be manufactured in any diameter, angle or length required.
- Excellent resistance to thermal aging and oxidizing agents (oxygen, ozone, UV).

Technical Specifications



Vena® Sil 240 (Elbows)

Ref: DO 03.10 FT 09. Rev. 09
Date: 02/03/2016



Inner Diameter		Wall thickness		Working Pressure ISO 1402/2009		Bursting Pressure ISO 1402/2009	
<i>mm</i>	<i>inch</i>	<i>+1/ -0.5 mm</i>	<i>+0.04/ -0.02 inch</i>	<i>Bar at 20°C</i>	<i>Psi at 68°F</i>	<i>Bar at 20°C</i>	<i>Psi at 68°F</i>
6	1/4	5.20	0.20	21.2	307.1	63.5	921.3
13	1/2	5.20	0.20	12.2	176.3	36.5	528.8
19	3/4	5.20	0.20	9.3	134.2	27.8	402.7
25	1	5.20	0.20	7.6	110.2	22.8	330.7
32	1 1/4	5.20	0.20	6.4	92.3	19.1	277.0
38	1 1/2	5.20	0.20	5.6	81.6	16.9	244.8
40	1 9/16	5.20	0.20	5.4	78.7	16.3	236.0
45	1 3/4	5.20	0.20	5.0	72.3	15.0	216.8
51	2	5.20	0.20	4.6	66.1	13.7	198.2
57	2 1/4	5.20	0.20	4.2	61.0	12.6	183.0
63	2 1/2	5.20	0.20	3.9	56.8	11.7	170.3
70	2 3/4	5.20	0.20	3.6	52.6	10.9	157.9
76	3	5.20	0.20	3.4	49.6	10.3	148.8
80	3 1/8	5.20	0.20	3.3	47.8	9.9	143.4
90	3 1/2	5.20	0.20	3.0	43.9	9.1	131.8

Construction

This reference is manufactured with four polyester fabric reinforcements.