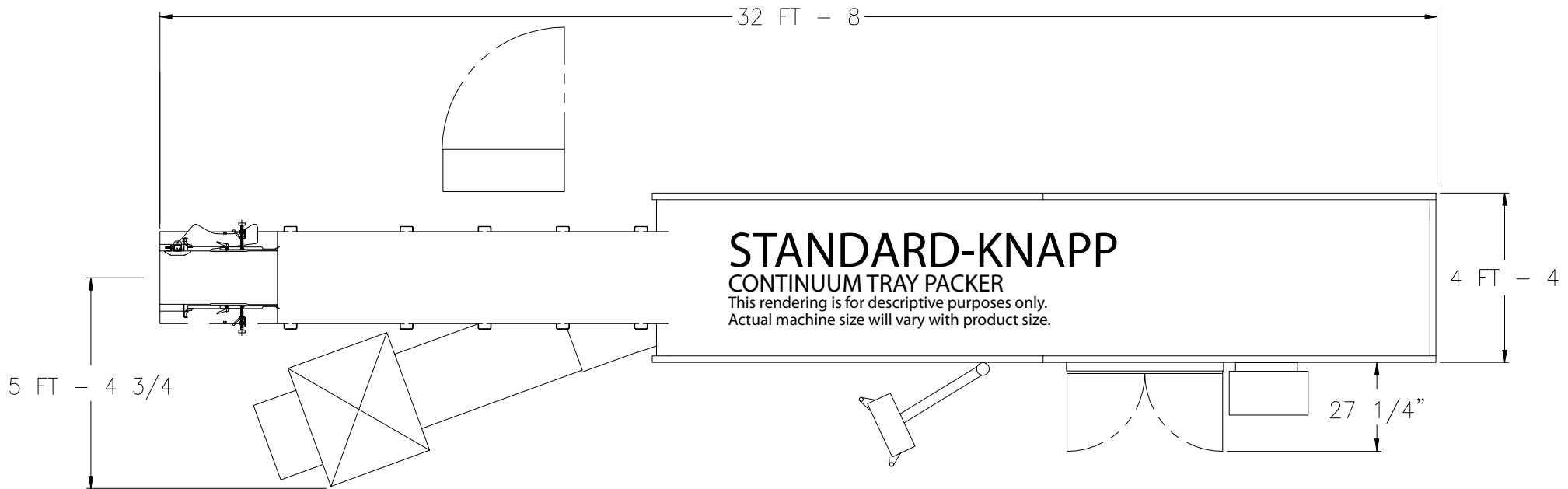


D-296170



NOTE:
This drawing and the subject matter thereof is the exclusive property of Standard-Knapp, Inc. and is to be treated by you as confidential proprietary information. This drawing, or the subject matter thereof, shall not be duplicated or disclosed to others, without the express written consent of Standard-Knapp and will be returned to Standard-Knapp upon request.

| | | | | | | | | | | |
|--------------------------|-------------|------|----|---------------------------|--------------------------------------------------------------------------------------------------------------------------------------------------------------------------------------------------------------------------------------------------------------------------------------------------------------|----------|-------------------------------------------------------------------------|-----------------------|-------------|------|
| MATERIAL & FINISHED SIZE | | | | COMPONENT PART | - | TITLE | | CONTINUUM TRAY PACKER | | |
| TREATMENT | | | | FINISHED PART | - | SCALE | DWG NO. | DATE | | |
| REVISIONS | | | | MARK PART NO. AT LOCATION | ⊗ | DRAWN BY | | DATE | | |
| LTR | DESCRIPTION | ECN# | BY | DATE | FINISH & TOLERANCES UNLESS OTHERWISE SPECIFIED: DECIMAL DIMENSIONS (+/- .000) TWO PLACE DECIMALS (+/- 1/64) FRACTIONAL DIMENSIONS (+/- 1/64) ANGLES (+/- 1 DEGREE) DIMENSIONED SURFACES (+/- 1/16) MACHINED FINISHES (125 MICRO INCH) THREADS (CLASS 2 FIT) Ⓚ SYMBOL DENOTES CRITICAL DIMENSIONS | | STANDARD-KNAPP StandardKnapp <small>© 2007 Standard Knapp</small> | | APPROVED BY | DATE |
| | | | | | | | STANGER | 2/3/07 | | |