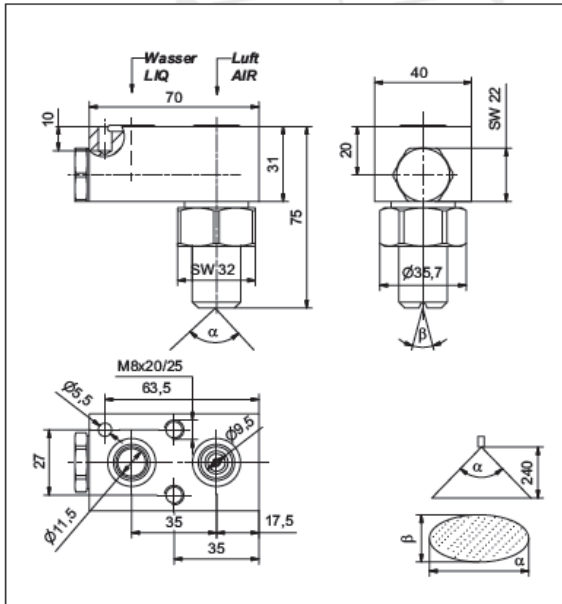


Billet Cooler – Oval Cone Nozzle
Standard Version
Series 1PM



BilletCooler Oval (Oval Full Cone)					
		Mn. standard water flow at 0,5 bar water pressure (if not other mentioned)	Max. standard water flow at 7 bar water pressure (if not other mentioned)	Max. standard air flow at 0.5 bar water pressure (if not other mentioned)	Nozzle Code
All values at 2 bar constant air pressure					
Size	Spray angle	l / min	l / min	Nm ² / hr	
0,8	60°x 30°	0,4 (@ 1 bar)	3,0 (6 bar)	3,0 (@ 1 bar)	1PM.074.30.00
0,8	90°x 30°	0,4 (@ 1 bar)	3,0 (6 bar)	3,0 (@ 1 bar)	1PM.074.30.01
0,8	90°x 45°	0,4 (@ 1 bar)	3,0 (6 bar)	3,0 (@ 1 bar)	1PM.074.30.02
0,9	60°x 30°	0,25	3,6	3,6	1PM.074.30.04
0,9	90°x 30°	0,25	3,6	3,6	1PM.074.30.05
0,9	90°x 45°	0,25	3,6	3,6	1PM.074.30.06
1,25	60°x 30°	0,50	5,1	4,8	1PM.074.30.08
1,25	90°x 30°	0,50	5,1	4,8	1PM.074.30.09
1,25	90°x 45°	0,50	5,1	4,8	1PM.074.30.10
1,7	60°x 30°	0,60	6,70	6,40	1PM.074.30.12
1,7	90°x 30°	0,60	6,70	6,40	1PM.07 4.30.13 *)
1,7	90°x 45°	0,60	6,70	6,40	1PM.074.30.14
2	60°x 30°	0,85	8,30	7,70	1PM.074.30.16
2	90°x 30°	0,85	8,30	7,70	1PM.074.30.17
2	90°x 45°	0,85	8,30	7,70	1PM.074.30.18
2,5	60°x 30°	1,05	10,50	9,70	1PM.074.30.20
2,5	90°x 30°	1,05	10,50	9,70	1PM.074.30.21
2,5	90°x 45°	1,05	10,50	9,70	1PM.074.30.22
3	60°x 30°	0,80	12,2	12,4	1PM.074.30.24
3	90°x 30°	0,80	12,2	12,4	1PM.074.30.25
3	90°x 45°	0,80	12,2	12,4	1PM.074.30.26

*) already ordered by no. 1PM.062.30.05

