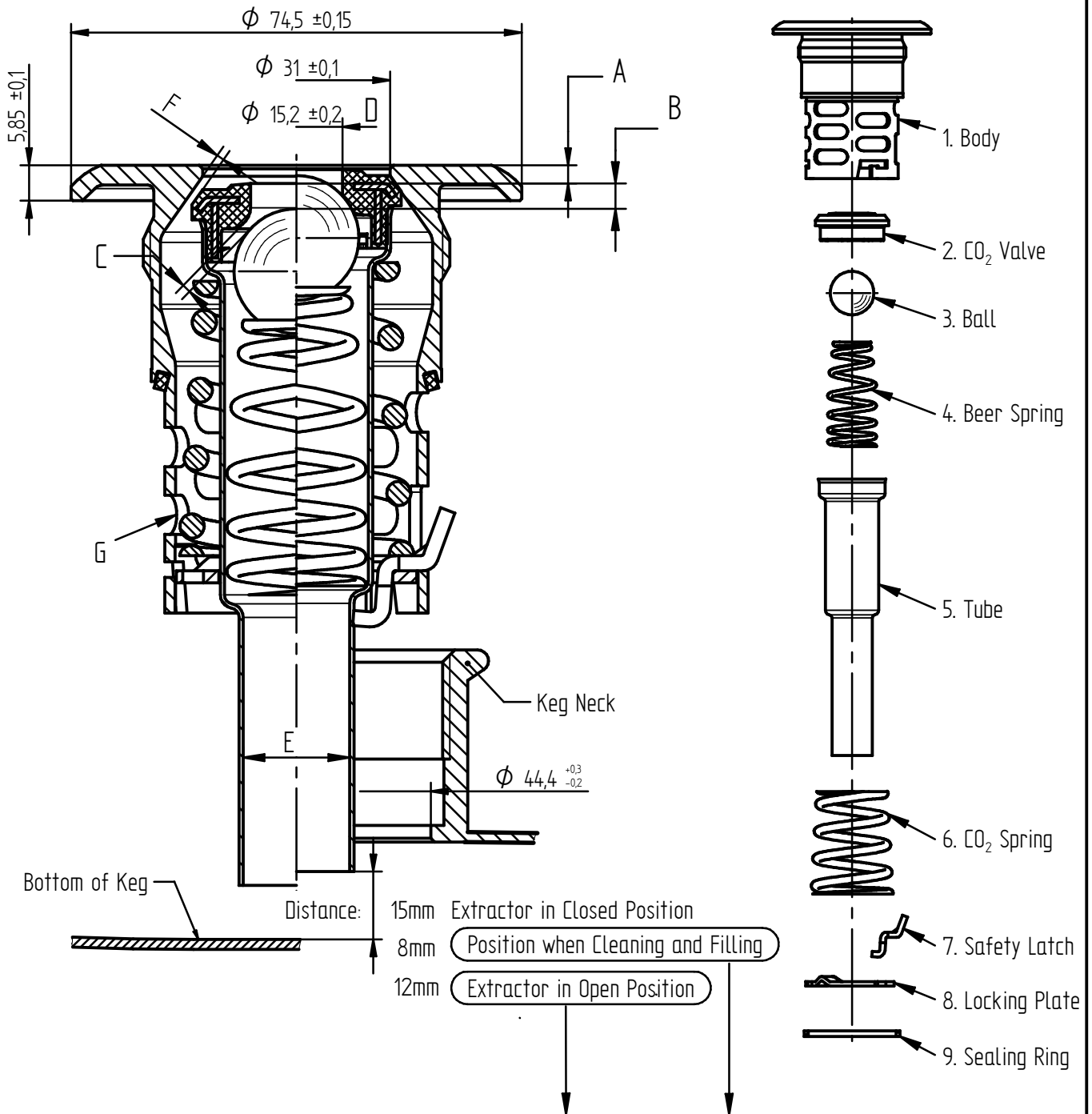


This drawing is the property of Dispense Systems International. The information is confidential and should not be copied for any other purpose without the prior written permission of DSI Getränkeautomaten GmbH. If in doubt, please ask. Samples are required after each revision.



I	Stroke	CO <sub>2</sub> -Valve + Tube	Part 2+5 - Part 1	A	3,5mm	max. 8,5mm
		Ball	Part 3 - Part 2	B	6,5mm	
II	Passages through Inner Tube	Part 2 - Part 3	C	160mm <sup>2</sup>		
		in Part 2	D	180mm <sup>2</sup>		
		in Part 5	E	240mm <sup>2</sup>		
III	Passages through Outer Tube	Part 1 - Part 2	F	190mm <sup>2</sup>	410mm <sup>2</sup>	
		Part 1	G	1250mm <sup>2</sup>		
IV	Temperature Resistance	Short-time 135°C				

PRODUCT		REMARKS	ROUGHNESS	SCALE	WEIGHT VOLUME		
				MATERIAL			
		DATE	NAME	TITLE			
		DRAWN	27.03.2013	kunze			
		APPR.					
		NORM					
		PROD. DEV.	DE				
				PROJ. METHOD	FORMAT	DRAWING NUMBER	SHEET
				REPL.	REPL. BY	A4	D-910443
						2 SHTS.	