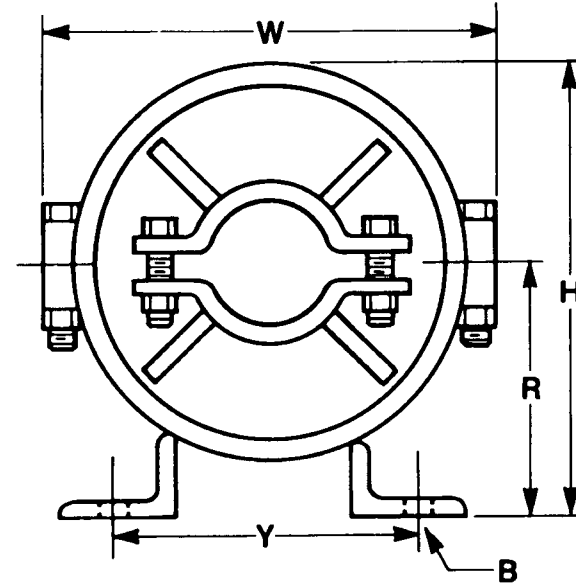
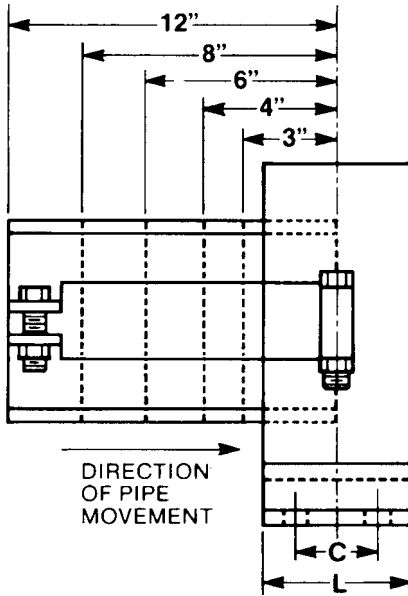




Portland, OR

Pipe Alignment Guides - Standard Series



Carbon Steel--Painted for Rust Protection

Note: Body size 14" & above supplied with 4 bolts.

Body No.	Physical Dimensions (Inches)							Approx. Weight (lbs.)
	H	R	W	Y	B	C	L	
04	5-7/8	3-1/2	6-1/8	4-1/8	5/8	1-3/4	3	7
05	6-3/4	4	7-1/8	4-3/8	5/8	1-3/4	3	8
06	7-5/8	4-3/8	8-1/8	5-1/8	5/8	1-3/4	3	9
08	9-1/4	5-1/4	10-1/8	6-1/8	5/8	1-3/4	3	11
10	11-5/8	6-1/4	12-1/8	7	5/8	2-3/4	4	17
12	13-3/8	7	14-1/8	8-1/4	5/8	2-3/4	4	20
14	15-1/8	7-7/8	16-1/8	9-7/8	3/4	4	6	40
16	17	8-7/8	18-1/8	10-7/8	3/4	4	6	48
18	18-3/4	9-3/4	20-1/8	11-7/8	3/4	4	6	54
20	21	10-7/8	22-1/8	11-3/4	3/4	6	8	61
22	23-1/8	12-1/8	24-1/8	14-1/2	7/8	6	8	89
24	25	13	26-1/8	15-1/2	7/8	6	8	102
26	27-3/4	14-3/4	28-1/8	17-1/8	1-1/8	6	8	110
30	31-1/2	16-1/2	32-1/8	19-1/4	1-1/8	6	8	150

Customer: _____

Project: _____

Engineer: _____

P.O.#: _____



Portland, OR

Pipe Alignment Guides - Standard Series

For Part #, use PG-(and add numbers below)

Total Qty	Pipe Size	Insul. Thick.	Body No.	Axial Movement

Pipe Size	Insulation Thickness						
	1"	1-1/2"	2"	2-1/2"	3"	3-1/2"	4"
1/2"	004-104-3	004-104-3	004-205-3	004-206-3	004-308-3	004-308-3	004-410-4
	-8	-8	-8	-8	-8	-8	-8
	-12	-12	-12	-12	-12	-12	-12
3/4"	006-104-3	006-605-3	006-206-3	006-308-3	006-308-3	006-410-4	006-410-4
	-8	-8	-8	-8	-8	-8	-8
	-12	-12	-12	-12	-12	-12	-12
1"	010-104-3	010-605-3	010-206-3	010-308-3	010-308-3	010-410-4	010-410-4
	-8	-8	-8	-8	-8	-8	-8
	-12	-12	-12	-12	-12	-12	-12
1-1/4"	012-104-3	012-104-3	012-206-3	012-308-3	012-308-3	012-410-4	012-410-4
	-8	-8	-8	-8	-8	-8	-8
	-12	-12	12	-12	-12	-12	-12
1-1/2"	014-105-3	014-105-3	014-206-3	014-308-3	014-308-3	014-410-4	014-410-4
	-8	-8	-8	-8	-8	-8	-8
	-12	-12	-12	-12	-12	-12	-12
2"	020-105-3	020-606-3	020-208-3	020-208-3	020-310-4	020-310-4	020-412-4
	-8	-8	-8	-8	-8	-8	-8
	-12	-12	-12	-12	-12	-12	-12
2-1/2"	024-106-3	024-106-3	024-208-3	024-208-3	024-310-4	024-310-4	024-412-4
	-8	-8	-8	-8	-8	-8	-8
	-12	-12	-12	-12	-12	-12	-12
3"	030-106-3	030-208-3	030-208-3	030-310-4	030-310-4	030-412-4	030-412-4
	-8	-8	-8	-8	-8	-8	-8
	-12	-12	-12	-12	-12	-12	-12
4"	040-108-3	040-108-3	040-210-4	040-210-4	040-312-4	040-312-4	040-414-6
	-8	-8	-8	-8	-8	-8	-8
	-12	12	-12	-12	-12	-12	-12
5"	050-110-4	050-110-4	050-210-4	050-312-4	050-312-4	050-314-6	050-416-6
	-8	-8	-8	-8	-8	-8	-8
	-12	-12	-12	-12	-12	-12	-12
6"	060-110-4	060-110-4	060-212-4	060-212-4	060-314-6	060-416-6	060-416-6
	-8	-8	-8	-8	-8	-8	-8
	-12	-12	-12	-12	-12	-12	-12
8"	080-112-4	080-112-4	080-214-6	080-316-6	080-316-6	080-418-6	080-418-6
	-8	-8	-8	-8	-8	-8	-8
	-12	-12	-12	-12	-12	-12	-12
10"	100-216-6	100-216-6	100-216-6	100-318-6	100-318-6	100-420-6	100-420-6
	-8	-8	-8	-8	-8	-8	-8
	-12	-12	-12	-12	-12	-12	-12
12"	120-218-8	120-218-6	120-218-6	120-320-6	120-320-6	120-422-8	120-422-8
	-12	-8	-8	-8	-8	-12	-12
	-12	-12	-12	-12	-12	-12	-12
14"	140-220-8	140-220-8	140-220-8	140-220-8	140-322-8	140-322-8	140-424-8
	-12	-12	-12	-12	-12	-12	-12
	-12	-12	-12	-12	-12	-12	-12
16"	160-222-8	160-222-8	160-222-8	160-222-8	160-324-8	160-324-8	160-426-8
	-12	-12	-12	-12	-12	-12	-12
	-12	-12	-12	-12	-12	-12	-12
18"	180-224-8	180-224-8	180-224-8	180-224-8	180-226-8	180-226-8	180-430-8
	-12	-12	-12	-12	-12	-12	-12
	-12	-12	-12	-12	-12	-12	-12

Customer: _____

Project: _____

Engineer: _____

P.O.#: _____