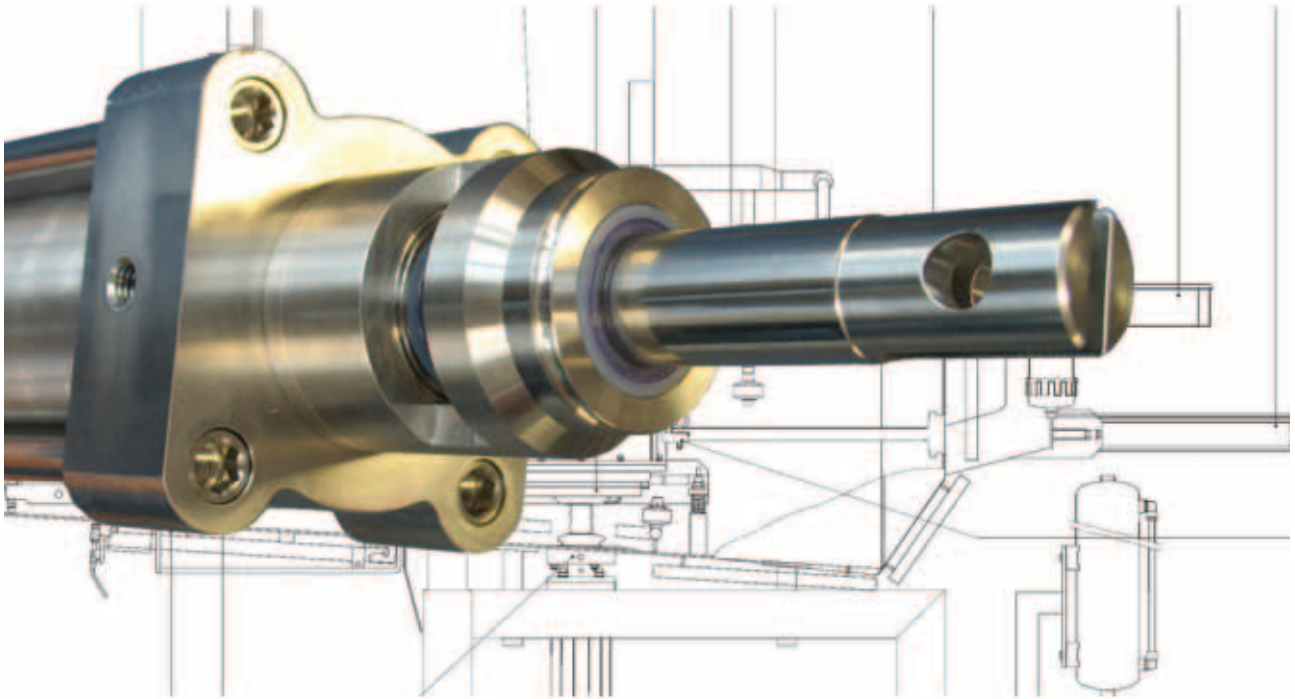




Lubrication free cylinder solution for Tetra Tebel Casomatic SC[®]

Upgrade Services



Benefits

- Additional lubrication not needed
- Improved product quality
- Improved hygiene
- Easy to install and maintain

Application

The Tetra Tebel Casomatic is equipped with pneumatic cylinders to activate movement of knife slide bush and dosing plate.

To be able to get the maximum lifetime of seals and piston rod, a lubricated gland is integrated in the design. Using state of the art seal technology it is now possible to run the cylinders without the need of additional lubrication.



Operating principle

The cylinders are equipped with an additional seal in front of the cylinder nose seal. The area between the seals is opened up for easy inspection and leak detection. The seal itself is a food grade hygienic designed spring loaded plastic seal.

Technical data

The upgrade consists of a package including:

- 1 Stainless steel knife cylinder
- 1 Stainless steel slide bush cylinder
- 1 Rebuilding kit for dosing cylinder including universal joint
- Set of brackets to be able to connect to existing connections
- Additional materials such as fittings, quick exhaust valves and speed regulating valves

Rebuilding of the machine can easily be combined with regular maintenance. The upgrade kit is available for Tetra Tebel Casomatic SC 6. For older versions the kit is available depending on the condition of the machine.

Delivery time and installation procedure

The delivery time is approximately 8 weeks for standard execution. Estimated installation time is approximately 8 hours per Tetra Tebel Casomatic column but can be influenced by local circumstances. Automation modifications are not required but it is advised to remove the control of existing lubrication system.

Information required for quotation

- Machine number
- Type of cylinders
- Location of the plant

MCON number

The MCON number is 26234809312.

Contact

The lubrication free cylinder upgrade is part of a series of Upgrade Services developed for the Tetra Tebel Casomatic SC. For more information about the Upgrade Services and how they can increase the profitability of your operations, please contact your nearest Tetra Pak Technical Service representative.