

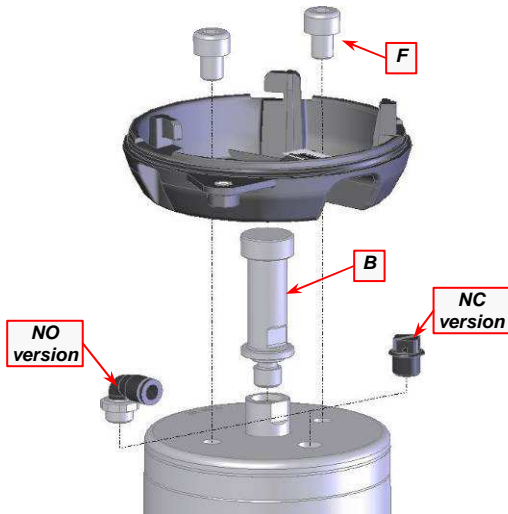
ICS LED SIGNALLING UNIT



www.definox.com

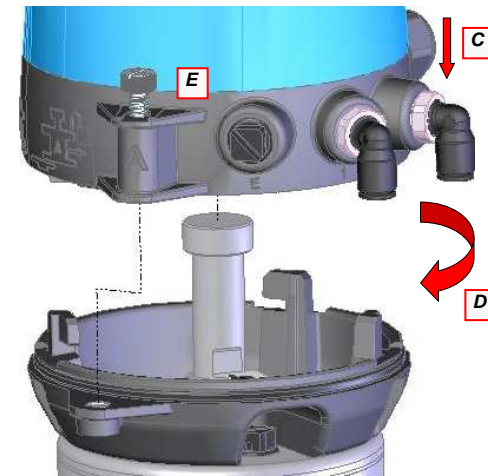
DEFINOX SAS
 3 Rue des Papetiers - Z.A.C. de Tabari 2
 44190 Clisson - France
 ☎ : +33 (0)2 28 03 98 50
 📠 : +33 (0)2 28 03 88 00
 ✉ E-mail: info@definox.com

3 Mounting the base on the actuator



- Screw the detection cam [B] and the NO or NC version connector (according to the configuration).
- Position the base on the actuator.
- Insert the two screws [F] and tighten them (tightening torque M8: 1N.m or 10Kgf.cm).

4 Mounting the connector on the base



- Position the unit on the base by engaging the 3 keying studs and following the action direction of the arrows [C] then [D].
- Tighten the screw [E] on the base.

1 Recommendations

IMPORTANT

When carrying out any repairs or modifications, refer to the maintenance notice (NM-258) available on [http://www.definox.com/](http://www.definox.com)

AIR QUALITY

- Dry air and 10µm filter (DIN ISO 8573-1)
- Working pressure: 5 to 7 bar

ELECTRICAL

Cable gland PG9

LED terminal module or led multi-voltage module version:

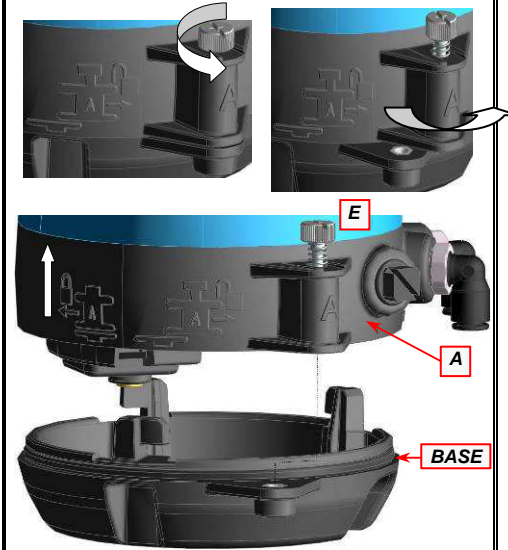
- Operating voltage:
 - Terminal : 24 VDC only \pm 5%.
 - Multi-voltage : 24 VAC \pm 48 VAC-DC \pm 10%.
- Conductor section : 0.5mm² recommended and 0.75mm² max.
- Ø cable : 4 to 8mm.

NOTE! For the multi-voltage version, the module must be continuously powered, and so a sufficient number of conductors is required in the cable.
 Depending on the supply voltage, check the necessary presence or absence of the 2-point wiring jaws between B1 and B2 (see the maintenance manual NM-258).

LED AS-i module version:

- See the maintenance notice (NM-258).

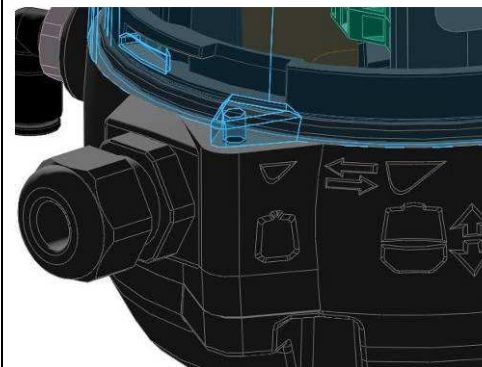
2 Disassembling the base from the unit



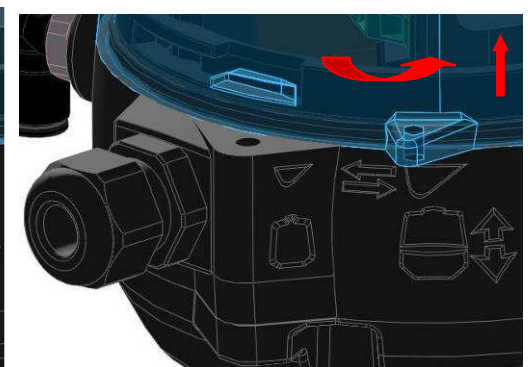
- Unscrew the locking screw [E].
- Turn the connector [A] to unlock it by holding the base in order to release the keying studs.
- Hold the base and pull the connector.

5 Locking and unlocking the cover

Cover locked

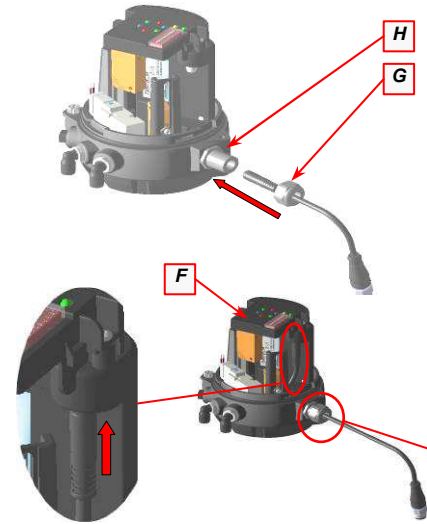


Cover unlocked



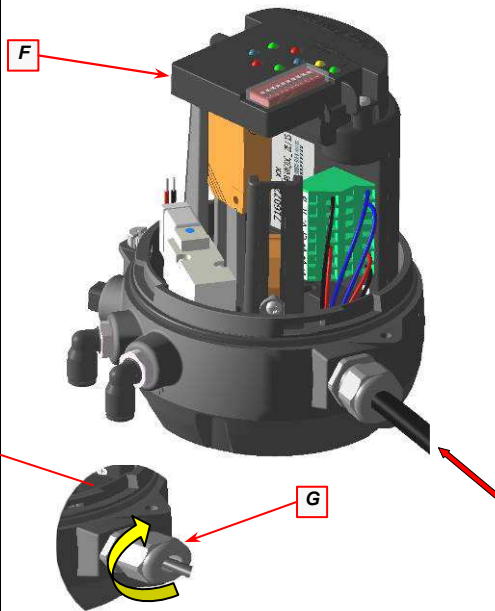
- When the cover is unlocked, it can be removed by lifting it.

6 Fitting the cable/cable gland
LED AS-I module configuration

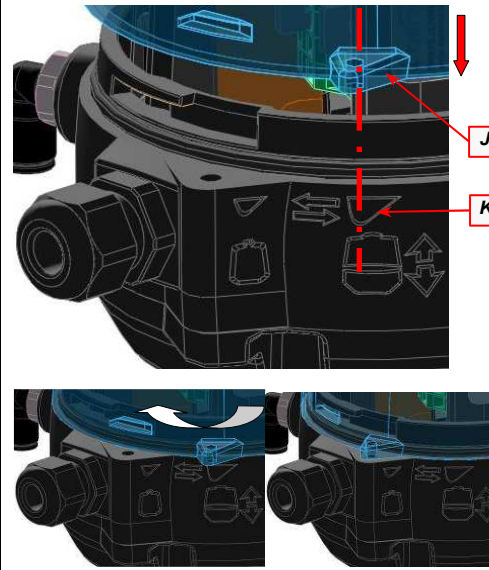


- Unscrew the nut [G] of the cable gland [H].
- Pass the cable (M8 plug) through the nut then through the cable gland to connect it to the led AS-i, terminal or multi-voltage module [F].
- Screw the cap back on [G].

LED terminal or multi-voltage module configuration

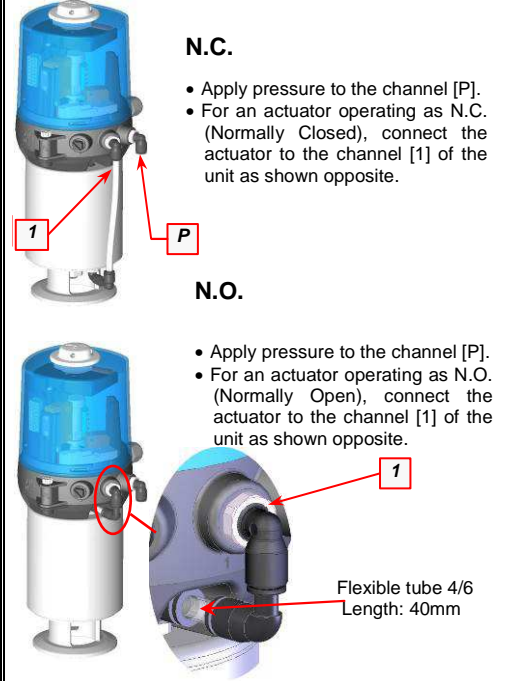


7 Reassembling the cover



- Align the pin [J] with the pictogram of the pin [K] on the connector.
- Press the cover onto the connector.
- Turn the cover to lock it.

8 Pneumatic version



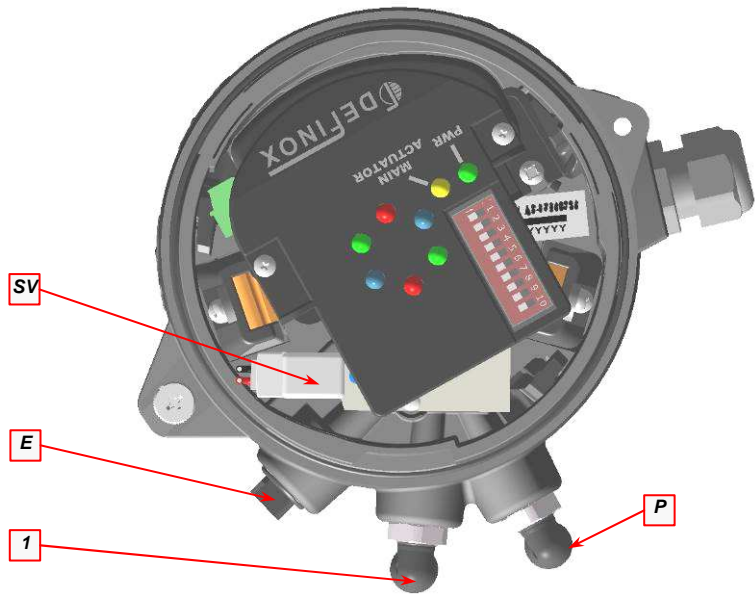
N.C.

- Apply pressure to the channel [P].
- For an actuator operating as N.C. (Normally Closed), connect the actuator to the channel [1] of the unit as shown opposite.

N.O.

- Apply pressure to the channel [P].
- For an actuator operating as N.O. (Normally Open), connect the actuator to the channel [1] of the unit as shown opposite.

9 ICS connector



10 Pneumatic connection table for ICS unit (module or terminal version).

	ICS UNIT	
	WITH-OUT SV	WITH SV
Pressure	X	P
(Pierced cap) outlet	X	E
Actuator	X	①
Cap	P, ①, E	X