

Put the actuator in the closed position and check that the piston is centered correctly. Centre if necessary by tapping the clamps. When using for the first time, check the lower connection in the down position, then the top connection(s) and the lantern in the up position for leaks (leak at the actuator).

NB: During sawing operations, avoid getting chips or filings in the pipes and rinse the pipes thoroughly with the valve open to avoid damaging the seals when the valve is put into service.

8) WORKING CONDITIONS

The actuator is supplied with dry, filtered air at a pressure of 5 to 8 bar. The actuator air couplings are designed for a 4/6 diameter hose fitting. The valve tolerates a max. temperature of 135°C and a maximum sealing pressure of 16 bar.

9) EEC CONFORMITY

A- Our valves comply with European regulations (EEC) within the limits of use described in paragraph B.

The CE mark on the valve indicates conformity to the following regulations:



- 89/336 "Electromagnetic compatibility"
- 97/23 "Pressurized equipment"
- 73/23 "Low pressure"

B-Use limits :

Usage pressure must be lower than 10 bar for all products.

In case of dangerous gas⁽¹⁾ valve diameter (line) must be below 100 mm.

For use outside these limits, please contact our technical service:

⁽¹⁾dangerous gas : group 1 gas, identified by a letter on the label and on the security card of the product:

E (for detonating gas), O (for fuel), F+, F and R10 (inflammable), T+ and T (toxic)

For additional information, please see regulation 67/548/EC « Labeling of dangerous products ».

10) SPARE PARTS and ACCESSORIES

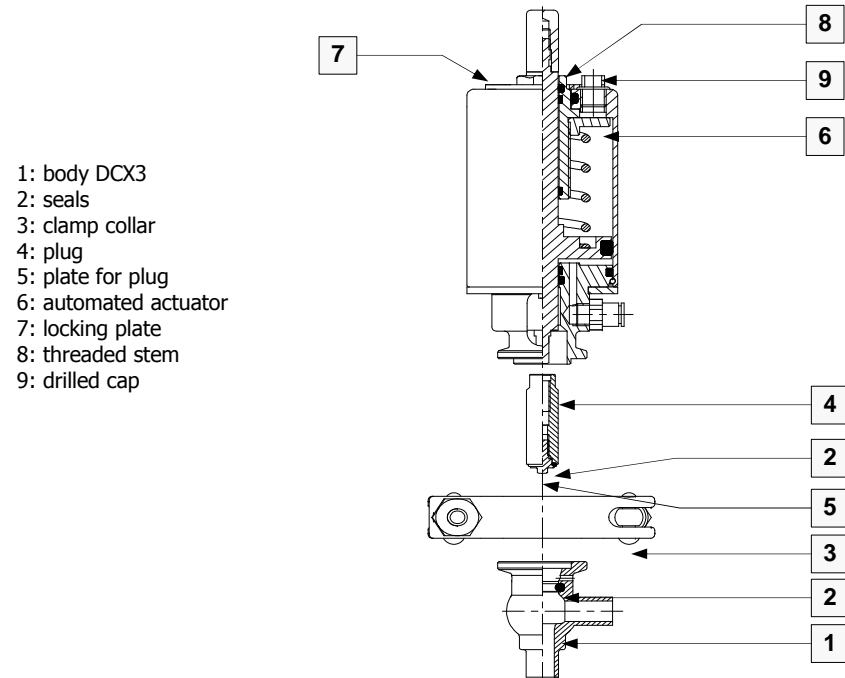
Please refer to the general documentation or consult us.

Please consult us in the event of a malfunction.



INSTALLATION GUIDE

ADJUSTABLE RELIEF SMALL DIAMETER DCX3/4 CHANGEOVER VALVE



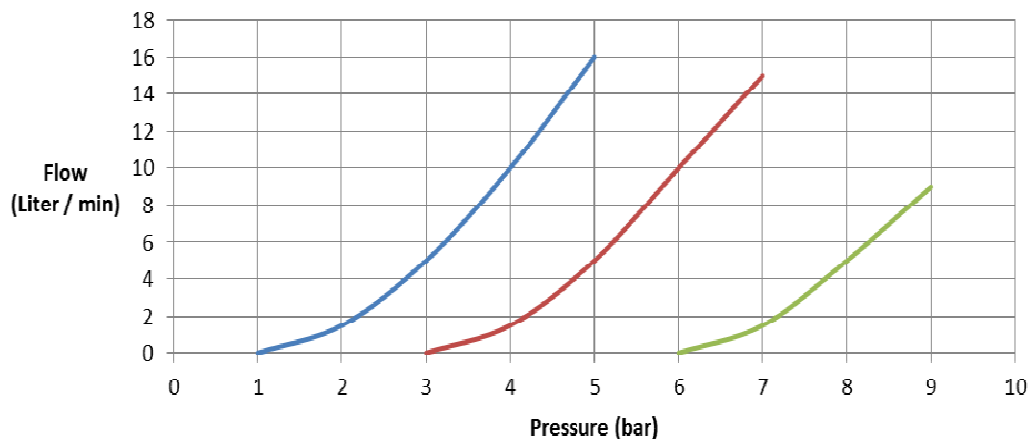
- 1: body DCX3
- 2: seals
- 3: clamp collar
- 4: plug
- 5: plate for plug
- 6: automated actuator
- 7: locking plate
- 8: threaded stem
- 9: drilled cap

www.definox.com

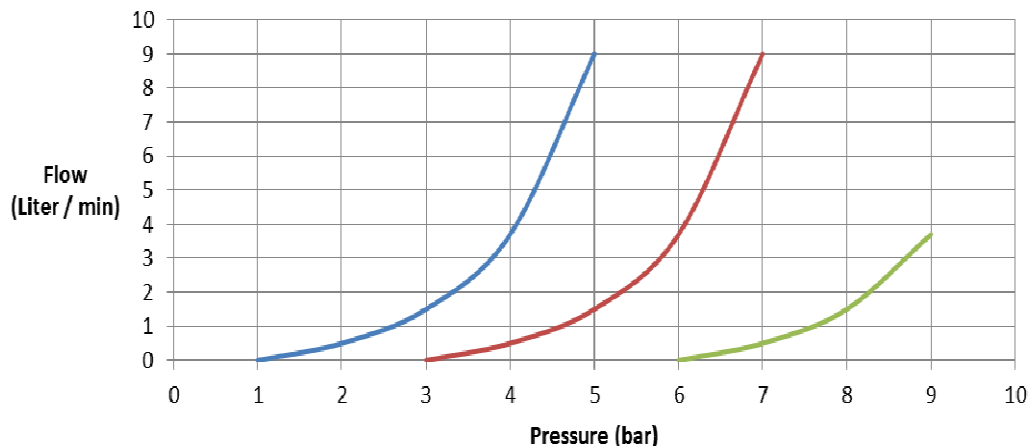
DEFINOX SAS
3 Rue des Papetiers - Z.A.C. de Tabari 2
44190 Clisson - France
☎ : +33 (0)2 28 03 98 50
📠 : +33 (0)2 28 03 88 00

E-mail : info@definox.com

DN1/2" actuator



DN3/4" actuator



Follow the fitting and operating instructions carefully. Take account of the actual working conditions and comply with the valve specifications indicated in the DEFINOX catalogue.

1) VALVE IDENTIFICATION

DEFINOX changeover valves have an identification number. You will need this number in order to identify the spare parts you may request.

2) USUABLE SEALS

The following seal types can be mounted on your valve:

NEOPRENE

EPDM

SILICON

FOOD GRADE VITON

ACID-RESISTANT VITON

The technical department is at your disposal to help you choose the seal types best suited to your process. Ensure that the grease used is compatible with elastomer seals, particularly EPDM.

3) INSTALLING DCX3 ADJUSTABLE RELIEF SMALL SIZE CHANGEOVER VALVE

Store your valve in its original packaging to prevent damage. Supply air to the actuator (6) or not to put the actuator into valve open position. Disassemble the clamp (3). Shut off the air supply and separate the body (1) from the rest of the valve. Fit the body to the pipes.

4) PRECAUTIONS TO BE TAKEN WHEN CARRYING OUT WELDING OF THE BODIES

Adjust the pipes: check the straightness, the out-of-roundness and the offset (play < 0.5 mm), to limit the restrictions created by welding.

Any modification to the valve body for the purpose of welding must be carried out with the agreement of Definox.

Support the pipes at least 10D from the valve (valve nominal diameter).

5) ADJUSTMENT OF THE CALIBRATION PRESSURE

Remove the locking plate « 7 » and the drilled cap « 9 » then thanks to a spanner 19mm turn the threaded stem « 8 », clockwise: reduce the calibration pressure, counter clockwise: increase the calibration pressure, as desired.

Ensure to reposition the locking plate « 7 » before operating again the valve.

6) ASSEMBLING DCX3 ADJUSTABLE RELIEF SMALL SIZE CHANGEOVER VALVE

Make sure the seal bearing surfaces inside body (1) are clean. Check the position of seals (2) on the bodies. Supply air to the actuator (6) or not to put the actuator into valve open position and insert the shut-off assembly "6" and "4,2,5" in the body "1" making sure the seals are not damaged around the edges of the parts. Refit the clamp « 3 ». When using for the first time, check the tightness in the line and the actuator (leak at the actuator).

.../...