

# VALVES



**Check Valves**

## CHECK VALVES

### BALL, SPRING AND AIR BLOW CHECK VALVES

#### CHECK VALVES....

Check Valves are widely used for both sanitary and industrial applications to prevent backflow of product.

Ball Check Valves are designed to allow full product flow during processing. Once the product flow stops the ball rolls back to the seat at inlet preventing back flow. Ball Check Valves are commonly used with liquid products. Sizes range 1 1/2" - 3".

Spring Check Valves are designed to assist closure pressure to create a positive shutoff. They are commonly used with liquid products. Sizes range 1/2" - 4".

Both valves are offered with standard clamp ends. Other connections are available upon request. Valves are made of T316L stainless steel.

Air Blow Check Valves are designed to evacuate lines of product or CIP solutions. Air Blow Check Valves are made of T316L Stainless Steel.



#### ORDERING SPECIFICATIONS....

- Specify:**
- Quantity
  - Product description or Part No.
  - Size
  - Material Type

#### VNE CORPORATION

P.O. Box 1698 • 1149 Barberry Drive • Janesville, WI 53547

TEL: 608-756-4930 • FAX: 608-756-3643 • 1-800-356-1111 • Web site: [vnestainless.com](http://vnestainless.com)

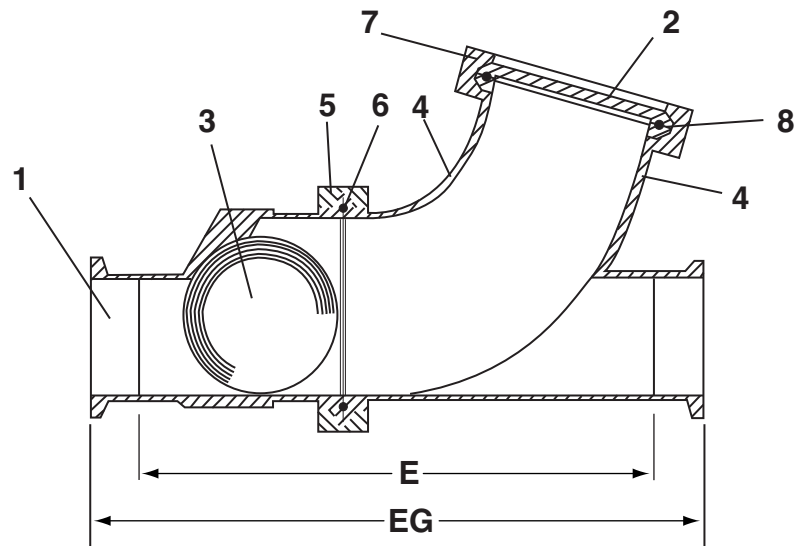
## BALL CHECK VALVE

### INFORMATION

- Precision machined seat to ensure positive shut-off
- Two-piece construction for easier alignment during installation
- Other connections available upon request
- Buna-N and Viton® elastomers
- Polished ID and OD
- All metal contact surfaces of T316L stainless steel
- Sizes range from 1 1/2" through 3"
- Buna Ball & Gaskets Standard

### PARTS BREAKDOWN

1. Seat body - (Clamp)
- 1W. Seat body - (Weld)
2. Cap
- 3B. Ball-(Buna-N)
- 3V. Ball-(Viton®)
4. Angle body
- 4W. Angle body-(Weld)
5. Body clamp
- 6B. Body gasket-(Buna-N)
- 6V. Body gasket-(Viton®)
7. Cap clamp
- 8B. Cap gasket-(Buna-N)
- 8V. Cap gasket-(Viton®)



### PART NUMBER SEQUENCE WHEN ORDERING COMPLETE VALVE:

- Clamp connections      EG45BY-6 (valve size)  
 Weld ends              E45BYWW-6 (valve size)  
 Note: If Viton® elastomers are required, add "V" after size

### PART NUMBER SEQUENCE WHEN ORDERING REPLACEMENT PARTS:

- BCV (item number) - (valve size)  
 Example: BCV3B-1.5 = Buna-N ball for 1.5 valve

Valve Size	Nominal Size				Actual Size	Overall Length		Approx. Wt. Lbs.
	1 & 4 Body	2 Cap	5 & 7 Clamp	6 & 8 Gasket	3 Ball	EG Clamp	E Weld	
1.5	1.5"	2.5"	2.5"	2.5"	2 1/8"	10	9	4.80
2.0"	2.0"	3.0"	3.0"	3.0"	2 5/8"	11	10	6.30
2.5"	2.5"	4.0"	4.0"	4.0"	3 5/16"	14 1/8	13 1/8	10.20
3.0"	3.0"	4.5"	4.5"	4.5"	4 1/4"	13 5/8	12 5/8	11.50
*3.0"	3.0"	4.0"	4.0"	4.0"	3 5/16"	13 5/8"	12 5/8"	11.50

\* Redesigned February 2003. Valves purchased after 2/03 use \*3.0 dimensions.

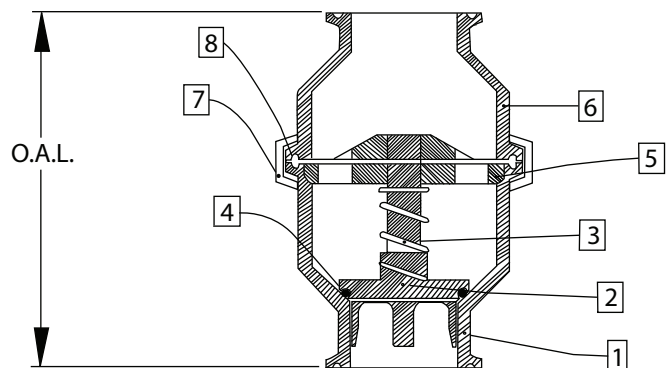
## SPRING CHECK VALVE

### INFORMATION

- One piece stem with O-Ring construction (easy seal replacement and positive shut-off)
- Viton O-Ring standard (other available upon request)
- Clamp connections standard (other connections available upon request)
- Full Polished ID and OD
- All metal contact surfaces of T316L Stainless Steel
- Sizes range from .5" through 4.0"

### PARTS BREAKDOWN

1. Lower body - (Body)
2. Stem - (2.0 thru 4.0 have guide fingers)
3. Spring - (3-5 psi) (Available upon request)
- 3L Spring Light - (1-3 psi) Standard
4. O -Ring - standard Viton
5. Stem guide
6. Upper body - (Bonnet)
7. Body Clamp .5 and" .75" = 13MHMM1.5 - H  
Body Clamp 1.0" and 1.5" = 13MHMM2.5 - H  
Body Clamp 2.0" = 13MHMM3.0 - H  
Body Clamp 2.5" = 13MHMM4.0 - H  
Body Clamp 3.0" = 13MHMM5.0 - H  
Body Clamp 4.0" = 13MHP6.0
8. Clamp Gasket .5 and .75 = EG40V 1.5  
Clamp Gasket 1.0 and 1.5 = EG40V 2.5  
Clamp Gasket 2.0 = EG40V 3.0  
Clamp Gasket 2.5 = EG40V 4.0  
Clamp Gasket 3.0 = EG40V 5.0  
Clamp Gasket 4.0 = EG40V 6.0



### PART NUMBER SEQUENCE WHEN ORDERING COMPLETE VALVE:

45 (spring check) C (clamp) 6 (T316L) 2.0 (size) V (seat material) Example: 45C - 6 2.0 - V

When requesting O-Ring changes add the following to the end of part number

Note: V=Viton E=EDPM S=Silicone B=Buna,

### PART NUMBER SEQUENCE WHEN ORDERING REPLACEMENT PARTS:

45-SCV (item number) - (valve size)

Example: 45-SCV1C-1.5 = Lower body clamp for 1.5 valve

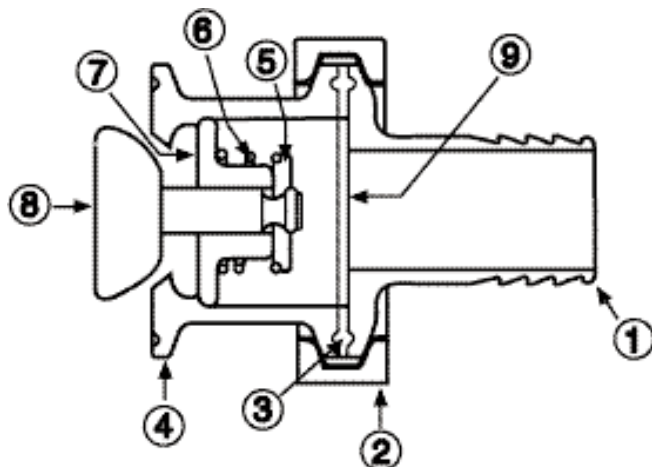
Overall Length			
Valve Size	Standard Clamp	Weld and Other	Approx WT LBS
.5"	3 1/2	A.O.R	2.2
.75"	3 1/2	A.O.R.	2.2
1.0"	4 1/8	A.O.R	3.5
1.5"	4 9/16	A.O.R.	3.5
2.0"	5 1/16	A.O.R.	5.4
2.5"	5 3/8	A.O.R.	6
3.0"	6 1/8	A.O.R.	6.25
4.0"	8 1/8	A.O.R.	16

## AIR BLOW CHECK VALVE

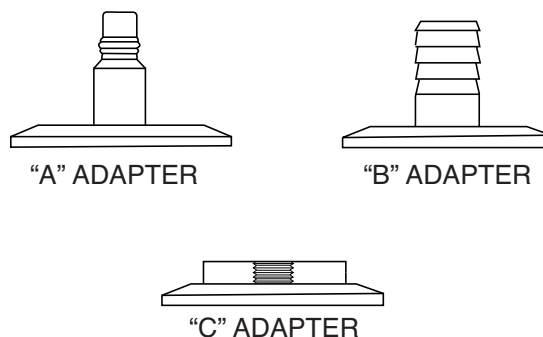
### ILLUSTRATION

Air Blow Check Valves are made of T316L Stainless Steel and are offered with EPDM or Viton® Elastomers.

Note: EDPM Stem Standard



### AIR BLOW CHECK VALVE CONNECTIONS



### PART NUMBER SEQUENCE WHEN ORDERING COMPLETE VALVE

EG62A-6L SIZE = "A" Connection

EG62B-6L SIZE = "B" Connection (shown)

EG62C-6L SIZE = "C" Connection

For Viton® Add "V" to end of part number

### PARTS LIST

#### 1. ADAPTER

ABV1A = Air Line Quick Coupler

ABV1B = Rubber Hose Barb 1"

ABV1C = Thermometer Cap

1. EG23B-6L 1.5 x .375 FNPT

2. EG23B-6L 1.0 x .500 FNPT

#### 2. CLAMP

13MHM 1.5 = 1 1/2" All Sizes

#### 3. PERFORATED DISC

ABV3 1.5 = 1 1/2" EPDM

ABV3-V 1.5 = 1 1/2" Viton®

#### 4. VALVE BODY

ABV4 1.5 = 1 1/2" Clamp Body

ABV4 2.0 = 2" Clamp Body

ABV4 2.5 = 2 1/2" Clamp Body

ABV4 3.0 = 3" Clamp Body

ABV4 4.0 = 4" Clamp Body

#### 5. SPRING RETAINER

ABV5 = All Sizes

#### 6. SPRING

ABV6 = All Sizes

#### 7. STEM GUIDE

ABV7 = All Sizes

#### 8. STEM

ABV8 = EPDM Stem

ABV8-V = Viton® Stem

#### 9. FILTER DISC

ABV9  
50 / PKG.

## AIR BLOW CHECK VALVE

### AIR BLOW CHECK VALVE ABILITIES

- VNE Air Blow Check Valves are designed to evacuate lines of product or CIP solutions.
- Fail Safe Operation - backflow of product or CIP solution prevented by simple air to open, spring to close operation.
- Easy Assembly / Disassembly - Clamp connections permit quick disassembly and assembly for replacing Filter Media, cleaning or inspection.
- Made of T316L stainless steel offered with EPDM or Viton® Stem and Gasket.
- Meets 3A standards - for applications requiring a final filtering of air prior to entering tank or pipelines.
- Note:  
The Air Blow Check Valve must be used with a Filter Disc. These Filter Discs are available in packages of 50.

- \* For use on Ball Check Valves:
  - 1 1/2" Ball Check Valve uses 2 1/2" Air Blow Valve
  - 2" Ball Check Valve uses 3" Air Blow Valve
  - 2 1/2" Ball Check Valve uses 4" Air Blow Valve
  - 3" Ball Check Valve uses 4" Air Blow Valve

### AIR BLOW CHECK VALVE DIMENSION TABLE

Part Number	Description		1 1/2"	2"	2 1/2"	3"	4"
EG62A-6L	"A" Adapter	Length	2.500	2.500	2.500	2.500	2.500
EG62A-6L	"A" Adapter	O.D.	1.984	2.516	3.047	3.579	4.682
EG62B-6L	"B" Adapter	Length	4.875	4.875	4.875	4.875	4.875
EG62B-6L	"B" Adapter	O.D.	1.984	2.516	3.047	3.579	4.682
EG62C-6L	"C" Adapter	Length	2.000	2.000	2.000	2.000	2.000
EG62C-6L	"C" Adapter	O.D.	1.984	2.516	3.047	3.579	4.682