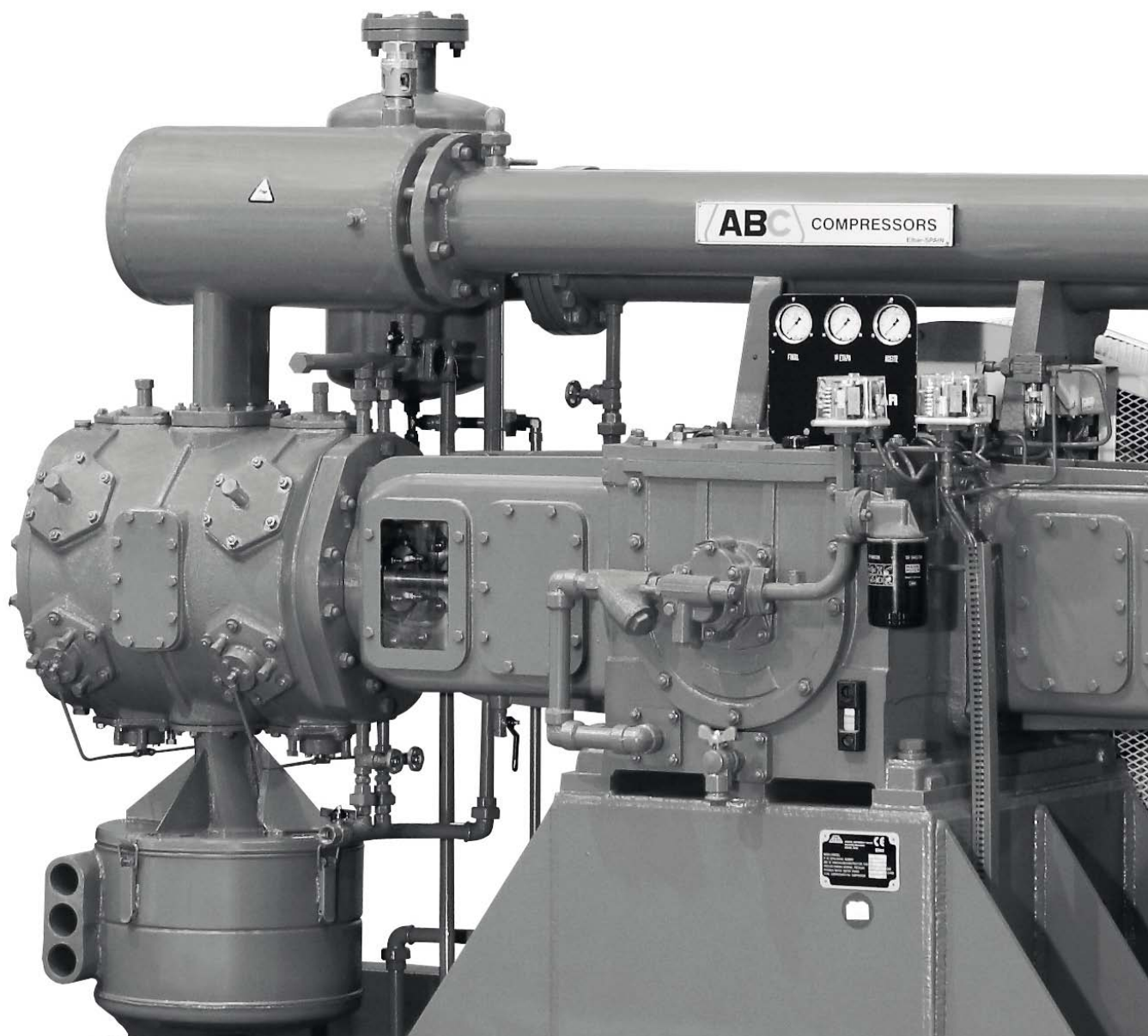


PISTON COMPRESSORS 100 - 1.250 HP



RELIABLE BEYOND LIMITS



ABOUT ABC COMPRESSORS

Since its **foundation in 1943**, ABC has focused on providing **the most reliable compressors for different sectors and applications**. Its **global orientation** and the commitment for growth was shown from its early exports in the 50's to its latest geographical expansion, having delivered compressors in more than 120 countries.

Becoming a worldwide **benchmark in the piston compressor industry** has always been ABC's goal, and today it has turned into reality. The company is continuously expanding and consolidating as a global solution supplier, with more robust and efficient compressors. New assembly plants in China and Brazil, and the endless opening of new service outlets worldwide are the **best proof of such growth**.



ABC HEADQUARTERS SPAIN
EIBAR



ABC CHINA
WUJIANG



ABC BRAZIL
ITUPEVA

AIR AND GAS COMPRESSORS

ABC offers a **wide range** of reciprocating compressors and provides **tailored solutions** covering air and numerous industrial gases.



**PET BLOWING
CO₂ RECOVERY**



PETROCHEMICAL



**WASTE TREATMENT
BIOGAS**



**COGENERATION
NATURAL GAS**



INDUSTRIAL GASES



OTHER APPLICATIONS

CONFIGURATION

Piston compressors with up to 3 pairs of double-acting cylinders, with or without lubrication. Up to 6 stages of compression, mounted on a structural steel skid.

GASES

Air, Hydrogen, Nitrogen, Methane, Carbon dioxide, Freon, Natural Gas, Vinyl chloride, Methyl chloride, Ethylene, Propylene, Sulphur dioxide, Butadiene, Isobutene, Isobutane, Butane, Propane, Carbon monoxide, Synthesis gas, Biogas and Syngas... except for Oxygen and Acetylene.

POWER

Up to 1.200 kW

PRESSURE

Up to 150 bar

APPLICATION AIR OF INSTRUMENTS

ABC offers the best range of **instrument air** compressors, when the clients specifications require **maximum reliability and highest air quality**.

The HA and HP series, with pressures from 2,5 to 15 bar, provide oilfree compressed air, with powers from 100 HP up to 1.250 HP, producing airflows up to 16.150 m³/h.

The quality and reliability of our compressors are guaranteed by **more than 60 years of experience** in the manufacture of instrument air compressors and by our satisfied customers worldwide.

ABC compressors, with HA and HP series, provide instrument air to the most demanding applications: nuclear plants, food industries, metallurgical plants, chemical plants...



RELIABILITY



ENERGY EFFICIENCY



ENDURANCE



EASY INSTALATION

- Up to 5 years of guarantee
- Service starting from 8.000 hours
- Market leader in kWh/Nm³
- Maximum durability of components
- Total guarantee and efficiency in extremely demanding conditions
- Quick start up and mobility

HORIZONTAL CONFIGURATION WITH OPPOSING CYLINDERS

ABC compressor construction starts with a robust frame and sump, providing generous pressurized lubrication to all crankshaft and rod bearings, and ending with double friction bearings on the drive side.

Cylinders are horizontally opposed, with crankpins displaced by 180°, cancelling out the inertia loads and virtually eliminating all vibration.

- The useful life of mechanical parts is significantly lengthened because they do not transmit excessive force or produce fatigue on structural parts of the compressor, ensuring stability of the pipes.

- No anti-vibration or special foundations are required, only 2 kg/cm² soil loading
- Compressor and all peripheral components are mounted on a single skid to form a complete self-contained, reliable air system.

BALANCED FORCES AND TORQUE



▲ 2HA-4-TER-S-LT

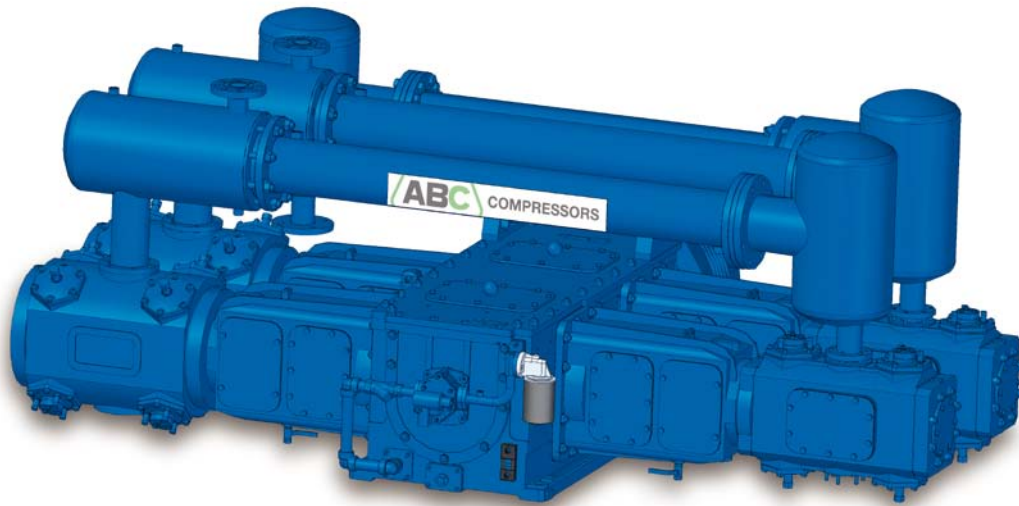
PRODUCT RANGE

Pressure bar	Model	Cylinders mm	Absorbed power		Capacity m ³ /hour FAD
			HP	kW	
2,5	1BHA-2-TER-LT	310	120	88	1.648
	1BHA-4-TER-LT	310	240	176	3.296
	1BHA-6-TER-LT	310	360	265	4.944
3	1HP-2-LT	580	420	309	5.379
	1HP-4-LT	580	820	603	10.758
	1HP-6-LT	580	1.227	902	16.138
4	1BHA-2-LT	250	88	65	943
	1BHA-4-LT	250	177	130	1.885
	1BHA-6-LT	250	266	195	2.828
	1EHP-2-LT	450	348	256	3.711
	1EHP-4-LT	450	676	497	7.422
	1EHP-6-LT	450	1.011	743	11.134
8	2HA-2-TER-S-LT	310/185	113	83	852
	2HA-4-TER-S-LT	310/185	226	166	1.705
	2HA-6-TER-S-LT	310/185	333	245	2.557
	2HP-2-LT	580/370	365	269	3.000
	2HP-4-LT	580/370	711	523	6.000
	2HP-6-LT	580/370	1.063	782	9.000
10	2EHA-2-BIS-S-LT	310/185	120	88	846
	2EHA-4-BIS-S-LT	310/185	241	177	1.693
	2EHA-6-BIS-S-LT	310/185	361	266	2.539
	2HP-2-LT	580/370	389	286	2.942
	2HP-4-LT	580/370	757	557	5.884
	2HP-6-LT	580/370	1.132	833	8.825
15	2EHA-2-BIS-LT	280/140	95	70	621
	2EHA-4-BIS-LT	280/140	191	140	1.242
	2EHA-6-BIS-LT	280/140	287	211	1.864
	2EHP-2-LT	450/280	315	232	1.970
	2EHP-4-LT	450/280	610	449	3.941
	2EHP-6-LT	450/280	912	671	5.912

Valid information for oilfree cylinders compressors. This range is also available with lubricated cylinders. Contact ABC for details.



▲ 2HA-2-TER-S-LT



▲ 2HA-4-TER-S-LT



▲ 2HP-4

TECHNICAL ATTRIBUTES

ENERGY SAVING

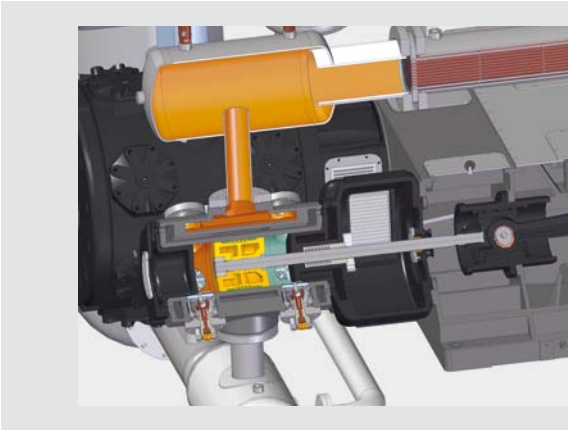
The constructive ABC design causes that their compressors offer excellent power consumptions.

- Double-acting cylinders minimise leaks and premature wear and tear.
- With a wide range of double-acting cylinders, ABC is able to balance compression ratios, thereby improving efficiency and lowering energy consumption.
- Generous cooling between stages.
- Large stainless-steel valve outlet surfaces, reduces pressure drops.
- When unloaded, venting the intercoolers is not required, another way we increase efficiency and lower energy consumption.
- Up to four-stage compression design optimises the compression cycle facilitating the removal of the heat generated during the compression process.

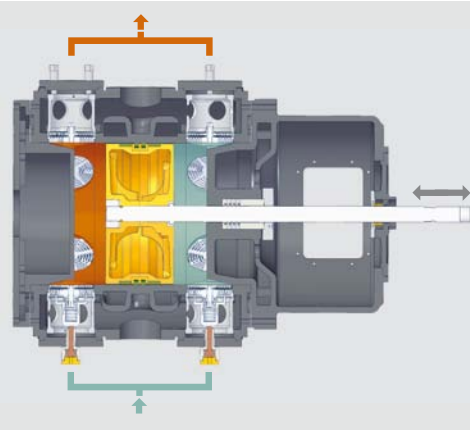
- Adaptation of independent vents per stage, preventing leaks.
- Large-capacity air receiver for more precise regulation, extending the life of the valve unloaders.
- The soft starter is supplied on all ABC packages above 200 kW, and is optional for compressors of lower power. This eliminates inrush current, thereby avoiding costly “peak” charges.
- When coordinating systems with several compressors, ABC offers intelligent systems that make it possible to select and prioritise the start up of the compressors according to the demand for compressed air.

The ABC compressor can be furnished with optional energy saving systems which can be supplied with the compressor package, or retrofitted at a later date.

COOLING BETWEEN STAGES



DOUBLE-ACTING CYLINDER



COMPLETE COMPRESSOR PACKAGE

The compressor package is supplied complete with compressor, motor, electrical cabinet, air receiver, and refrigerated dryer, forming a compact but complete compressor system.

- Electrical connections and cabling, pneumatics, refrigeration, etc, are all factory prepared.
- Centralised control of the entire ensemble from a single panel.
- A single water input and output connection point.
- A single electricity supply.
- A single condensate removal point.

- No high pressure air flexible pipes needed.
- Integral testing, with peripherals, before shipment.
- Possibility of transport by container without disassembly.
- Quick, simple and safe start-up in the customer's plant with guaranteed success.
- Ample space between equipment for convenient maintenance.
- Complete package mobility, which provides easy relocation with minimal resources.



Easy and safe mobility



100% inhouse machined parts

ABILITY services

After more than 60 years in the market, ABC works to strengthen long-term relationships with clients, **supplying not only the best customized products, but also the complete service package for their whole life cycle.**

ABILITY NETWORK

Through a wide network of service offices in more than 20 countries, with more than **100 field technicians and stock of spares** strategically distributed throughout the world, ABC ensures the best technical support for the start-up, maintenance and monitoring of compressors.

ABILITY CONTRACT

In order to grant the best long-term operating guidelines of the compressors and to keep the maintenance cost controlled from the very beginning, ABC offers **"FULL SERVICE"**, maintenance contracts, with extended **guarantee up to five years.**

ABILITY EYE

ABC considers it important to help clients monitor their international compressor network quickly and efficiently. Consequently, **the REMOTE CONTROLLER Ability Eye**, with its three levels of surveillance, becomes the perfect tool to keep the compressor room under control.

Ability Services cover the **services from the initial design of compressor, its start-up to its operation**, providing the following range of services, as well as technical solutions:

ABILITY IMPROVER

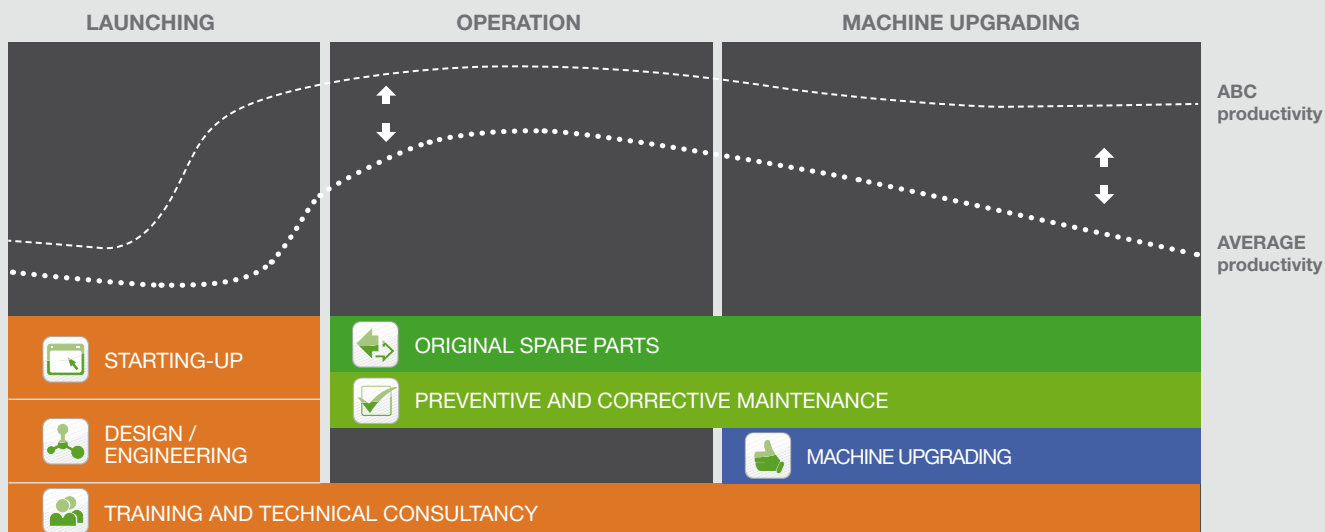
Its products and services are aimed at **optimizing clients' air or gas compression system.** Improvement of regulation system, systems for coordination of batteries of machines, upgrading of compressors, energy saving methods, consultancy and plant audits.

ABILITY ACADEMY

ABC offers clients and field specialists **complete training programs**, to ensure that only the best technical guidelines are used when diagnosing and operating the compressors.



Energy audit



For additional information browse our Service Catalogue or visit our website www.abc-compressors.com

HEADQUARTER

Eibar

Polígono Azitain nº 6 P.O.Box 87
20600 EIBAR (Guipúzcoa) SPAIN

Tel.: +34 943 820 400

Fax: +34 943 820 235

abc@abc-compressors.com

Contact with our **INTERNATIONAL NETWORK**
through:

www.abc-compressors.com

RELIABLE BEYOND LIMITS



02/2013



ARIZAGA, BASTARRICA Y CIA, S.A.

TOTAL QUALITY

ISO 9001

ISO 14001

OHSAS 18001