



TI-P122-01  
 ST Issue 6

## BPT13 Brass

# Balanced Pressure Thermostatic Steam Trap

### Description

The BPT13 is a readily maintainable brass bodied, balanced pressure thermostatic steam trap. The standard trap is designated BPT13A and has angled connections.

### Available types

<b>BPT13A</b>	Angled connections (standard trap)
<b>BPT13AX</b>	Angled connections with strainer screen
<b>BPT13S</b>	Straight connections
<b>BPT13SX</b>	Straight connections with strainer screen
<b>BPT13UA</b>	Angled connections, union inlet
<b>BPT13UAX</b>	Angled connections, union inlet with strainer screen
<b>BPT13US</b>	Straight connections, union inlet
<b>BPT13USX</b>	Straight connections, union inlet with strainer screen

**Capsule fill and operation** - When placing an order always state the capsule fill:

**Standard capsule** - Is marked with 'STD' for operation at approximately 12°C below steam saturation temperature.

**Optionally** - The capsule can be supplied for sub-cooled 'SUB' operation at approximately 24°C below steam saturation temperature.

For critical applications the 'NTS' fill capsule should be selected which operates at approximately 4°C below steam saturation temperature.

### Standards

This product fully complies with the requirements of the European Pressure Equipment Directive 97/23/EC.

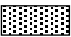
### Certification

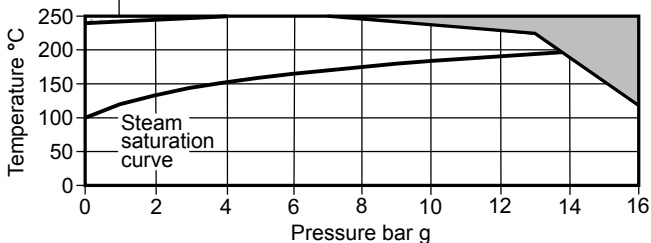
This product is available with a manufacturers' Typical Test Report. **Note:** All certification/inspection requirements must be stated at the time of order placement.

### Sizes and pipe connections

3/8", 1/2" and 3/4" screwed BSP (BS 21 parallel) or NPT.

### Pressure/temperature limits (ISO 6552)

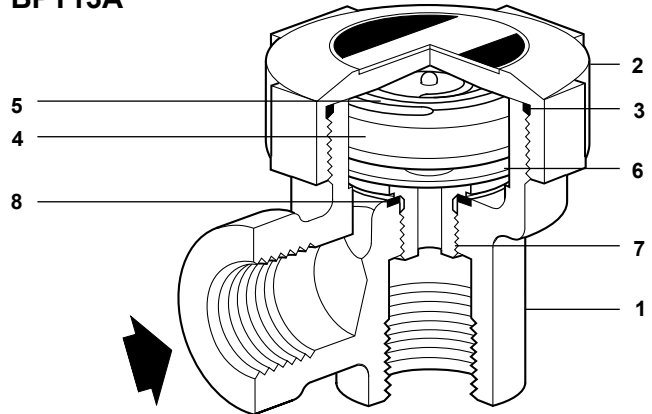
 The product should not be used in this region or beyond its operating range as damage to the internals may occur.



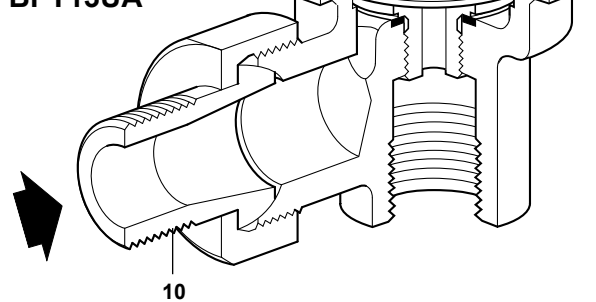
 The product **must not** be used in this region.

Body design conditions	PN16
PMA Maximum allowable pressure	16 bar g @ 120°C
TMA Maximum allowable temperature	250°C @ 7 bar g
Minimum allowable temperature	-20°C
PMO Maximum operating pressure	13 bar g @ 220°C
TMO Maximum operating temperature	250°C @ 7 bar g
Minimum operating temperature	0°C
Designed for a maximum cold hydraulic test pressure of 24 bar g	

### BPT13A



### BPT13UA



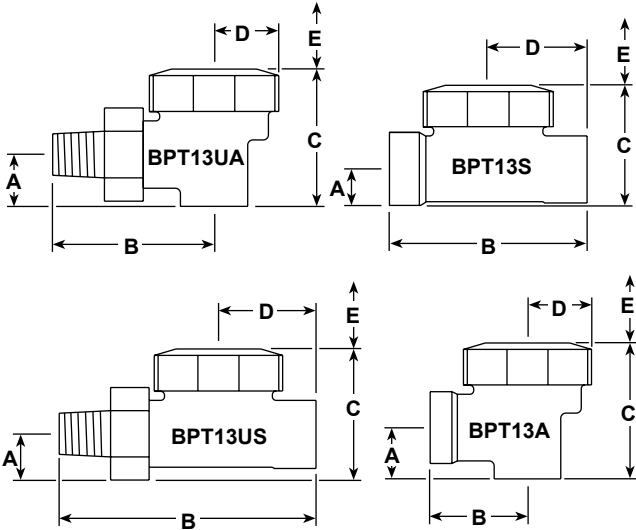
### Materials

No.	Part	Material	
1	Body	Brass	BS EN 12165 CW 617N
2	Cap	Brass	BS EN 12165 CW 617N
3	'O' ring	Synthetic rubber high fluorine fluorocarbon	
4	Capsule	Stainless steel	
5	Spring	Stainless steel	BS 2056 302 S26
6	Spacer plate	Stainless steel	BS 1449 304 S16
7	Valve seat	Stainless steel	BS 970 431 S29
8	Valve seat gasket	Stainless steel	BS 1449 304 S11
* 9	Strainer screen	Stainless steel	ASTM A240 316L
10	Union nut and tailpiece	Brass	BS EN 12165 CW 617N

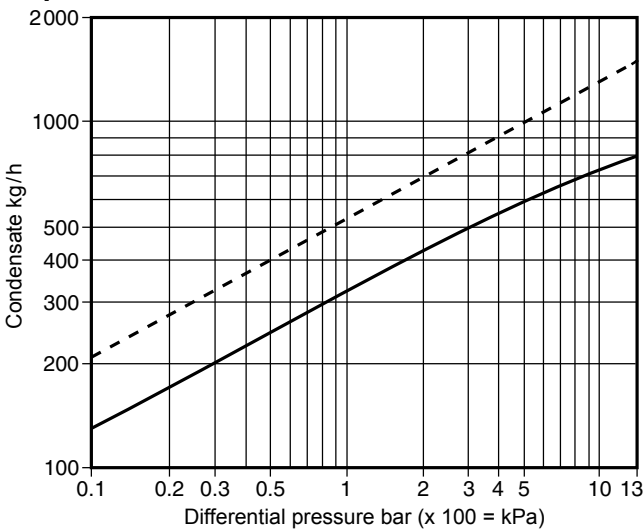
\*Note: Item 9 is shown clearly overleaf.

**Dimensions/weights (approximate) in mm and kg**

Type	Size	A	B	C	D	E	Weight
BPT13A	1/2"	20	38	53	25	55	0.40
	3/4"	27	40	62	25	55	0.45
BPT13S	1/2"	14	76	47	38	55	0.45
	3/4"	20	80	53	40	55	0.50
BPT13UA	1/2"	20	67	53	25	55	0.50
	3/4"	27	75	62	25	55	0.55
BPT13US	1/2"	19	105	52	38	55	0.55
	3/4"	22	115	57	40	55	0.60



**Capacities**



Hot water capacity ————— Cold water capacity - - - - -

**Safety information, installation and maintenance**

For full details see the Installation and Maintenance Instructions (IM-P122-02) which is supplied with the product.

**Installation note:**

The trap is designed for installation with the capsule in a horizontal plane with the cap at the top, preferably with a drop leg immediately preceding the trap.

**Disposal**

This product is recyclable. No ecological hazard is anticipated with the disposal of this product provided due care is taken. However, if the recycling process involves a temperature approaching 315°C, caution is advised regarding decomposition of the fluorocarbon rubber component.

**How to order**

**Example:** 1 off Spirax Sarco 1/2" BPT13AX balanced pressure thermostatic steam trap with screwed BSP connections. Brass body with internal strainer screen and 'STD' fill capsule for operation approximately 12°C below steam saturation temperature.

**Spare parts**

The spare parts available are shown in solid outline. Parts drawn in broken line are not supplied as spares.

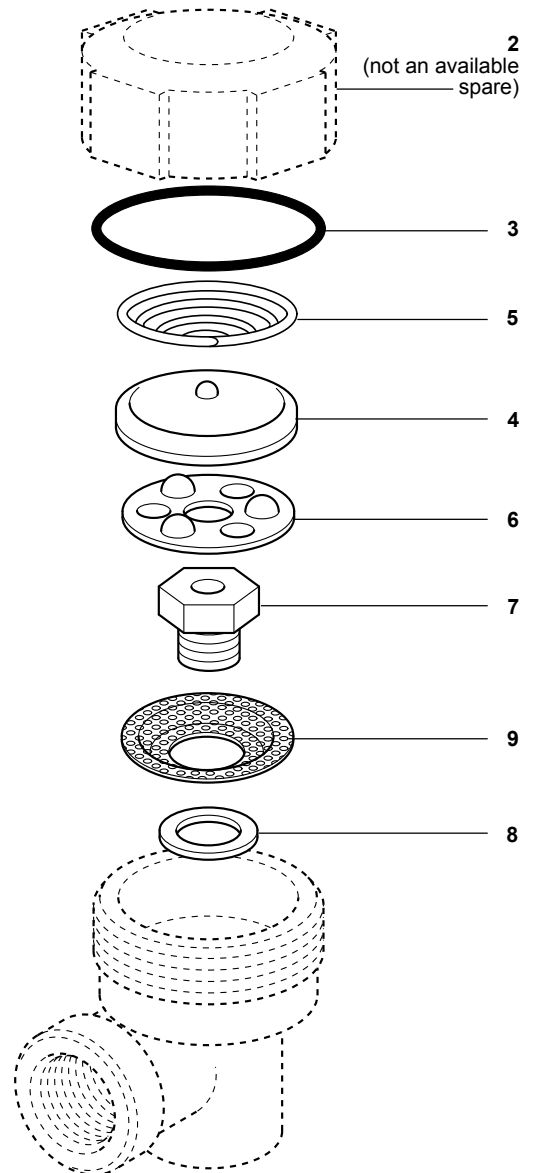
**Available spares**

Maintenance kit		<b>3, 4, 5, 6, 7, 8, 9</b>
Cap gasket	Earlier models (packet of 3)	<b>3</b>
	Current models (packet of 3 'O' rings)	<b>3</b>
Screen	(packet of 3)	<b>3, 9</b>

**How to order spares**

Always order spares by using the description given in the column headed 'Available spares' and state the size, model number and capsule reference.

**Example:** 1 - Capsule and seat assembly for a Spirax Sarco 1/2" BPT13S balanced pressure thermostatic steam trap with screwed BSP connections. Brass body with internal strainer screen and 'STD' fill capsule for operation approximately 12°C below steam saturation temperature.



**Recommended tightening torques**

Item	Part	or mm	N m
2	Cap 'O' ring	50 A/F	50 - 60
	Gasket	50 A/F	90 - 110
7	Seat	17 A/F	35 - 40