

# Sure-Set™

## Split-Core Current Switch

Setra's Sure-Set™ Model SSC current switch is the safest current switch for under current sensing on constant speed drive applications. The split-core current switch provides a unique approach to calibration and installing current sensors, utilizing the horsepower of the motor. This eliminates exposure to arc flash vs. traditional adjustable set point switches on the market. The multi-range dial maximizes flexibility and reduces overall installation time, allowing installation to be done on a cold circuit without the need for an arc flash suit and protective equipment. The SSC's recessed set point dial reduces the chance of inadvertent adjustments, while the detents provide tactical feedback that the desired horsepower rating has been selected.

### Avoid Arc Flash

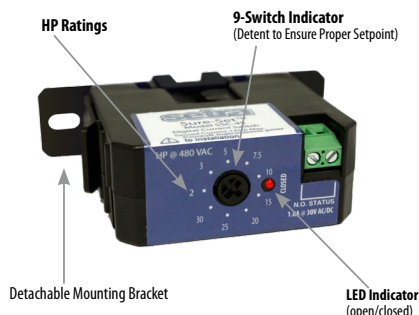
Traditional adjustable current switches require the installer to make set point adjustments to the unit on a live circuit during installation increasing the safety risk to the installer. Each Sure-Set™ model offers 9 pre-configured set points so the installer can pre-configure the switch, based on the rating of the motor, prior to powering the circuit, eliminating the risk of arc-flash hazard.

### Save Time and Money on Installation

The installer simply sets the switch to the appropriate setting to match the horsepower (HP) rating of the motor, clamps it on to the de-energized circuit, connects the signal leads and the installation is complete. By eliminating the need to work in a live electrical enclosure, the installer is no longer required to wear a personal protective equipment (PPE) suit, saving valuable time on the job.

### Reduce Inventory

Each Sure-Set™ offers 9 pre-configured set points, giving the installer the flexibility to use the same switch on a variety of different motor loads. Unlike fixed set-point switches, the Sure-Set™ provides the multi-range flexibility to work with motors ranging from 1 to 100 HP.



- Safe Installation
- No PPE Suit Required
- Pre-Calibrated Set Points by HP

### Sure-Set™ Features:

- Split-Core Design
- Multi-Range 9 Set Points Available on Each Model
- Match Set Point to Motor Horsepower Rating
- Rotary Switch Detents Confirm Intended Settings
- Rotary Switch Eliminates Inadvertent Adjustments
- Allows Installation to be Completed on a Cold Circuit
- Under Current Sensing Applications

### Applications:

- HVAC/R Systems
- Constant Volume Drives (CVD)
- Fans
- Industrial Motors
- Pumps
- Refrigeration

### ORDERING INFORMATION



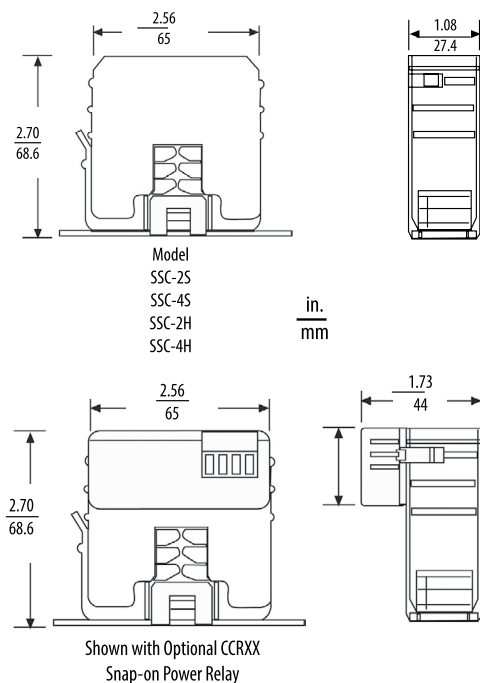
Model	Motor hp Range Code	Motor hp Ranges
SSC	2S	1, 2, 3, 5, 7.5, 10, 15, 20, 25 9 position set point for 230V AC Motor Application
SSC	4S	2,3,5,7.5,10,15,20,25,30 9 position set point for 480V AC Motor Application
SSC	2H	5,7.5,10,15,20,25,30,40,50 9 Position set point for 230V AC Motor Application
SSC	4H	15,20,25,30,40,50,60,75,100 9 Position set point for 480V AC Motor Application

### OPTIONAL RELAY

CCR-12	Snap on Power Relay 12 VAC/DC
CCR-24	Snap on Power Relay 24 VAC/DC

Ordering Example: SSC2S = Model SSC with 1, 2, 3, 5, 7.5, 10, 20, 25 hp Ranges and 9 position set point for 230V AC Motor Application.

### DIMENSIONS



### GENERAL SPECIFICATIONS

Continuous Operating Current	135A, 600V AC
Switch Set Point	Adjustable, 9 position rotary switch
Output Relay Contacts (option)	Optional. Output contacts rated 10A @ 260V AC, 5A @ 30V DC
Output Relay Coil Voltage (option)	Optional, 12V AC/DC or 24V AC/DC
Switch LED Indication	Yes
Relay LED Indication (option)	Yes
Trip Point Set Value	50% below FLA @ selected hp value
Current Switching Mode	Under Current Sensing
Dimensions	2.7 x 2.56 x 1.08 in. (69 x 65 x 27 mm)
Aperture Size	0.72 x 0.78 in. (18 x 20 mm)
Sensor Power Source	Induced from power conductor cable
Status Output	Switch normally open
Switch Load Capacity	1A @ 30V AC/DC max.
Isolation Voltage	600V AC rms.
Temperature Range	5 to 140°F (-15 to 60°C)
Frequency Range	50/60 Hz
Humidity Range	0 to 95% non-condensing
Agency Approvals/Compliance	CE Compliant, RoHS Compliant, UL/c-UL Listed: 508, IND. Cont. EQ: E317719

**CAUTION, RISK of ELECTRIC SHOCK**

Disconnect power supply before making electrical connections. contact with components carrying hazardous voltage can cause electrical shock and may result in severe personal injury or death.

Specifications subject to change.