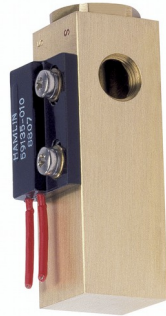
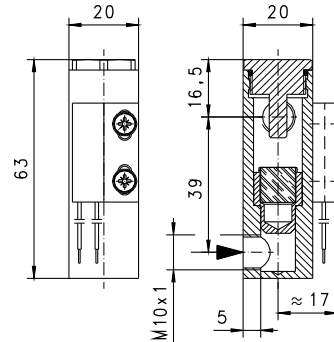


**Product Information**

**Flow Switch MF-007**



**Dimensions**

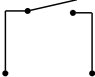


- Monitoring of small flows

**Characteristics**

Mechanical flow switch for water, with magnetic triggering of a reed switch. Robust construction in brass.

**Technical data**

<b>Switch</b>	reed switch
<b>Nominal width</b>	DN 7
<b>Process connection</b>	female thread M10x1 (further process connections available on request)
<b>Switching value</b>	selectable between 0.05..1 l/min H <sub>2</sub> O The switching value is suitable for vertical decreasing flows from below.
<b>Q<sub>max.</sub></b>	2 l/min
<b>Tolerance</b>	±15 % of full scale value
<b>Pressure resistance</b>	PN 6 bar
<b>Media temperature</b>	-20..+80 °C
<b>Ambient temperature</b>	-20..+70 °C
<b>Media</b>	water
<b>Wiring</b>	normally opened ( n.o.) no. 0.453 
<b>Switching voltage</b>	max. 120 V AC
<b>Switching current</b>	max. 0.5 A
<b>Switching capacity</b>	max. 10 VA
<b>Protection class</b>	2 - safety insulation
<b>Ingress protection</b>	IP 65
<b>Electrical connection</b>	2 wires 300 mm
<b>Materials medium-contact</b>	CW614N, hard ferrite, NBR
<b>Non-medium-contact materials</b>	PTFE, CW614N nickelled, 1.4305
<b>Weight</b>	0.06 kg
<b>Installation location</b>	vertical inwards flow from below.

**Handling and operation**

- Include straight calming section of 5 x DN in inlet and outlet
- Include a filter if the media are dirty (use magnetic filter for ferritic components).
- It must be ensured that the values given for voltage, current, and power are not exceeded.
- When switch on, a load must be connected in series.
- The electrical details apply to ohmic loads.  
Capacitive, inductive and lamp loads must be operated using a protective circuit.

**Ordering code**

MF - 

1.	2.	3.
007	G	M

<b>1. Nominal width</b>	007	DN 7 - M10x1
<b>2. Process connection</b>	G	female thread
<b>3. Connection material</b>	M	brass

**Ordering information**

- Specify direction of flow, medium, and switching value.