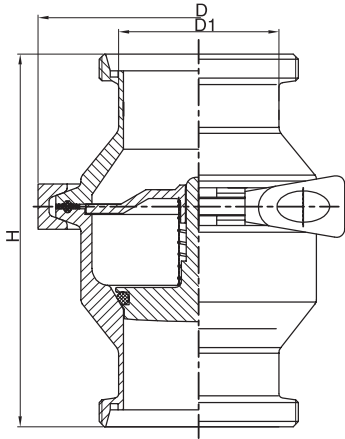


止回阀系列 Check Valve series

止回阀 Check Valve	107-111
--------------------------	---------

止回阀

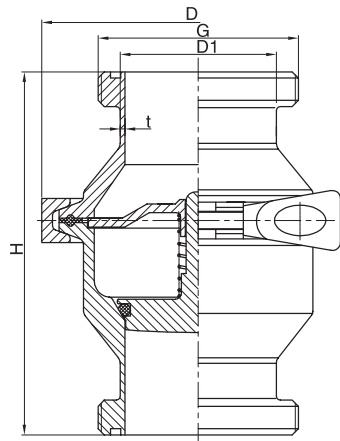
Check Valve



No.20101

螺纹式止回阀(DIN)
Threaded check valve(DIN)

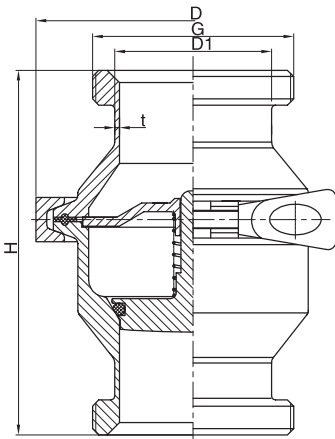
SIZE	H	D1		D	t	G(RD)
		1	2			
DN15	108	18	19	72	1.5	33.5x1/8
DN20	112	22	23	72	1.5	43.5x1/6
DN25	116	28	29	72	1.5	51.5x1/6
DN32	116	34	35	87	1.5	57.5x1/6
DN40	116	40	41	87	1.5	64.5x1/6
DN50	121	52	53	100	1.5	77.5x1/6
DN65	153	70	-	115	2.0	94.5x1/6
DN80	159	85	-	128	2.0	109.3x1/4
DN100	179	104	-	164	2.0	129.3x1/4



No.20102

螺纹式止回阀(SMS)
Threaded check valve(SMS)

SIZE	H	D	D1	t	G(RD)
3/4"	106	72	19	1.5	35.5x1/8
1"	110	72	25.4	1.5	39.5x1/6
1 1/4"	112	87	31.8	1.5	59.5x1/6
1 1/2"	112	87	38.1	1.5	69.5x1/6
2"	119	100	50.8	1.5	84.5x1/6
2 1/2"	141	115	63.5	2.0	97.3x1/6
3"	155	128	76.2	2.0	104.3x1/6
3 1/2"	161	128	89	2.0	124.3x1/4
4"	173	164	101.6	2.0	131.3x1/6



No.20117

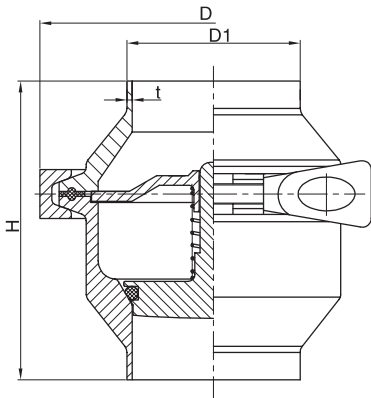
螺纹式止回阀(3A)
Threaded check valve(3A)

SIZE	H	D1	t	G
1"	108	25.4	1.65	37.13x1/8 Acme
1 1/4"	113	31.8	1.65	45.9x1/8 Acme
1 1/2"	113	38.1	1.65	50.65x1/8 Acme
2"	126	50.8	1.65	64.1x1/8 Acme
2 1/2"	141	63.5	1.65	77.6x1/8 Acme
3"	152	76.2	1.65	91.1x1/8 Acme
4"	167	101.6	2.1	119.25x1/6 Acme

No.20109

焊接式止回阀(DIN)
Welded check valve(DIN)

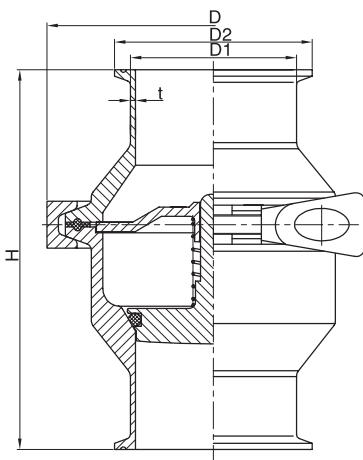
SIZE	H	D1		D	t
		1	2		
DN15	74	18	19	72	1.5
DN20	74	22	23	72	1.5
DN25	74	28	29	72	1.5
DN32	74	34	35	87	1.5
DN40	74	40	41	87	1.5
DN50	79	52	53	100	1.5
DN65	107	70	-	115	2.0
DN80	109	85	-	128	2.0
DN100	123	104	-	164	2.0



No.20110

焊接式止回阀(3A SMS ISO IDF DS)
Welded check valve(3A SMS ISO IDF DS)

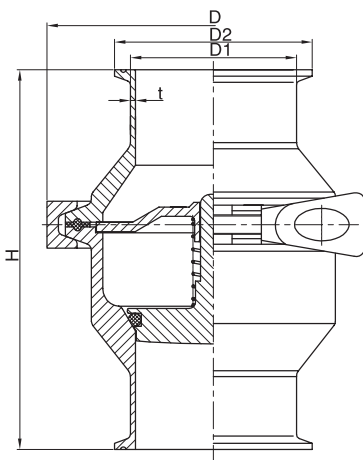
SIZE	H	D1	D
3/4"	74	19	72
1"	74	25.4	72
1 1/4"	74	31.8	87
1 1/2"	74	38.1	87
2"	79	50.8	100
2 1/2"	99	63.5	115
3"	107	76.2	128
3 1/2"	109	89	128
4"	123	101.6	164



No.20113

卡箍式止回阀(DIN)
Clamped check valve(DIN)

SIZE	H	D1		D2	D	t
		1	2			
DN15	100	18	19	34	72	1.5
DN20	100	22	23	34	72	1.5
DN25	110	28	29	50.5	72	1.5
DN32	110	34	35	50.5	87	1.5
DN40	110	40	41	50.5	87	1.5
DN50	107	52	53	64	100	1.5
DN65	126	70	-	91	115	2.0
DN80	134	85	-	106	128	2.0
DN100	140	104	-	119	164	2.0



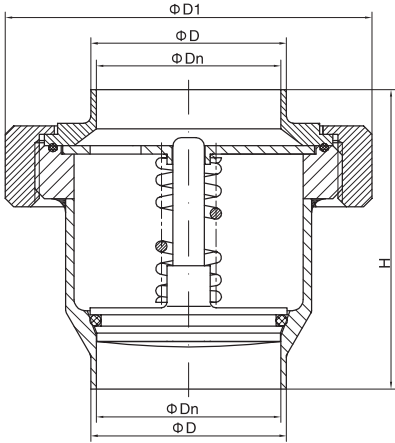
No.20114

卡箍式止回阀(3A SMS ISO IDF DS)
Clamped check valve(3A SMS ISO IDF DS)

SIZE	H	D1	D2	D
3/4"	100	19	25.4	72
1"	100	25.4	50.5	72
1 1/4"	100	31.8	50.5	87
1 1/2"	100	38.1	50.5	87
2"	107	50.8	64	100
2 1/2"	119	63.5	77.5	115
3"	126	76.2	91	128
3 1/2"	134	89	106	128
4"	140	101.6	119	164

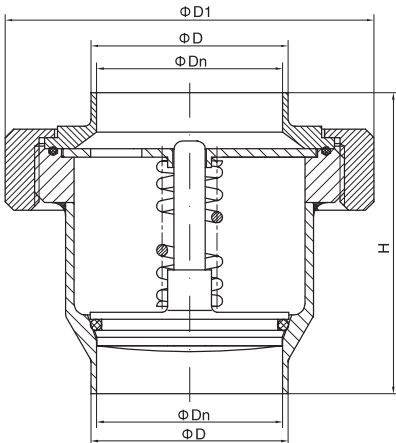
止回阀

Check Valve



No.20120 活接式止回阀(DIN)
Check valve with clamp-type valve body(DIN)

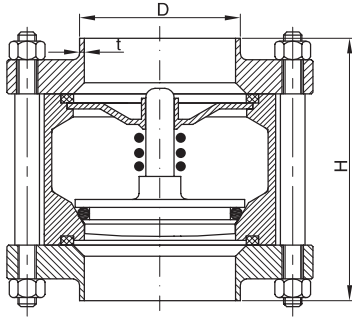
规格	ΦDn	ΦD	ΦD1	H
DN25	25	28	70	65
DN32	31	34	78	70
DN40	37	40	92	76
DN50	49	52	110	87
DN65	66	70	125	107
DN80	81	85	146	117
DN100	100	104	178	131



No.20121 活接式止回阀(SMS)
Check valve with clamp-type valve body(SMS)

规格	ΦDn	ΦD	ΦD1	H
Φ25	22.4	25.4	70	65
Φ32	28.8	31.8	78	70
Φ38	35.1	38.1	92	76
Φ51	47.8	50.8	110	87
Φ63	59.5	63.5	125	107
Φ76	72.2	76.2	146	117
Φ89	85	89	146	117
Φ102	97.6	101.6	178	131

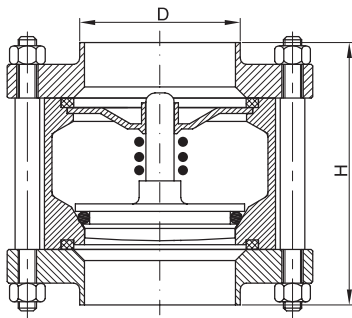




No.20122

DIN法兰式止回阀
DIN flanged check valve

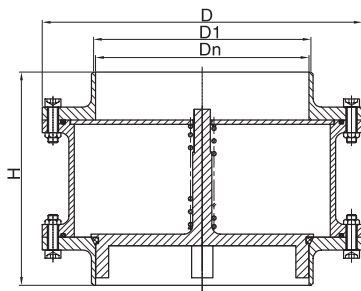
SIZE	H	D1		t
		1	2	
DN15	70	18	19	1.5
DN20	70	22	23	1.5
DN25	70	28	29	.5
DN32	75	34	35	1.5
DN40	75	40	41	1.5
DN50	85	52	53	1.5
DN65	95	70	-	2.0
DN80	105	85	-	2.0
DN100	120	104	-	2.0



No.20123

Inch法兰式止回阀
Inch flanged check valve

SIZE	H	D
3/4"	70	19
1"	70	25.4
1 1/4"	75	31.8
1 1/2"	75	38.1
2"	85	50.8
2 1/2"	95	63.5
3"	105	76.2
3 1/2"	105	89
4"	120	101.6



No.20124

DIN三片式止回阀
DIN three-type check valve

SIZE	H	D	D1	Dn
DN125	150	205	129	125
DN150	156	235	154	150
DN200	200	300	204	200

INCH

SIZE	H	D	D1
5"	150	205	127
6"	156	235	152.4
8"	200	300	203.2