

# BM 8411 / 8421

Interroll Belt Conveyor  
Straight  
Center Drive



## Product Description

The belt conveyor is used for the transport of unit loads that are not suitable for roller tracks, and for all types of unit loads in case of inclines and declines.

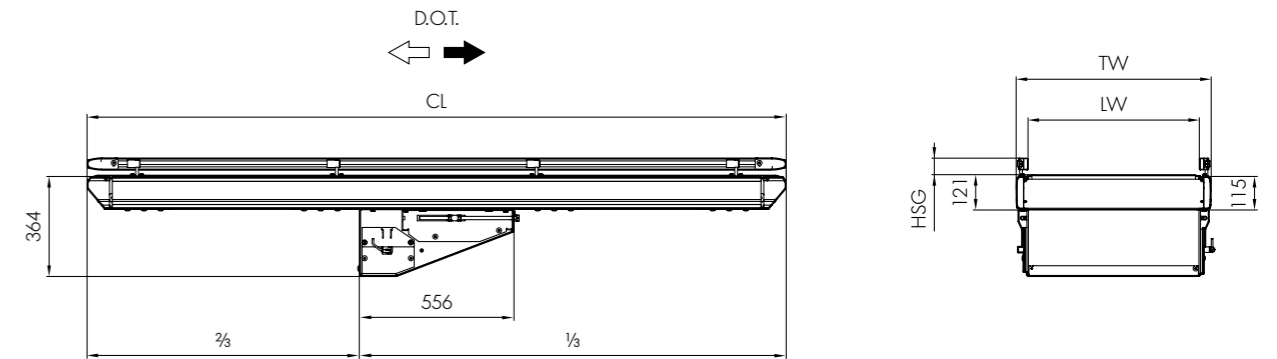
The standard belt conveyor is equipped with a drum motor (BM 8421), a gear motor is available as an option (BM 8411). Not suitable for reversing operation.

## Technical data

General technical data	Max. load capacity*	50 kg/m
	Max. load capacity per module*	550 kg
	Conveyor speed*	0.1 to 2.5 m/s (at 50 kg)
	Incline/decline	Max. 18°
	Ambient temperature	+5 to +40 °C (drum motor) -5 to +50 °C (gear motor)
Drive	Rated voltage	400 V
	Electrical power	Max. 3 kW
	Motor type	Drum motor/gear motor
Materials	Conveyor belt	Smooth, 2-layer, PVC, longitudinally grooved for incline
	Slider bed	Sheet steel 2 mm

\* The combination of maximum values is not always possible.

## Dimensions



BF	Between frames	420, 620, 840 mm others on request
LW	Lane width	BF (+120/-90 mm per side with flexible side guide)
CL	Module length	1500 to 20,010 mm
TW	Module width	BF + 80 mm
HSG	Height side guide	35 - 65 mm

## Scope of supply

- Module is completely assembled, maybe split into sections
- Supply incl. 1 sensor
- Please order support stands and end caps separately