



ACCESSORI

- Realizzati con acciaio di ottima qualità solubilizzato.
- Elevata robustezza.

ACCESSORIES

- Made of top grade solution heat-treated steel.
- High strength.

ACCESSOIRES

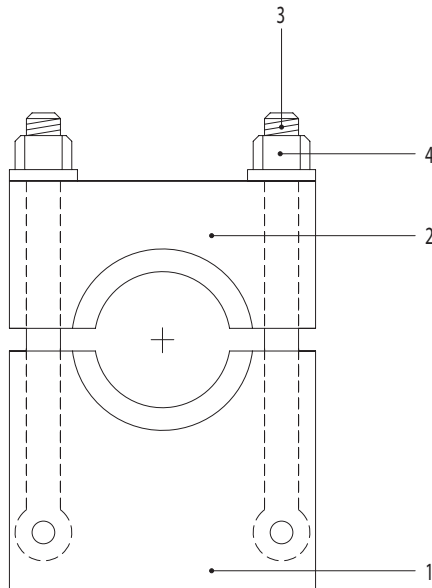
- Réalisés avec un acier inoxydable d'excellente qualité solubilisé.
- Haut niveau de robustesse.

ACCESORIOS

- Realizados en acero de excelente calidad, solubilizado.
- Elevada resistencia.

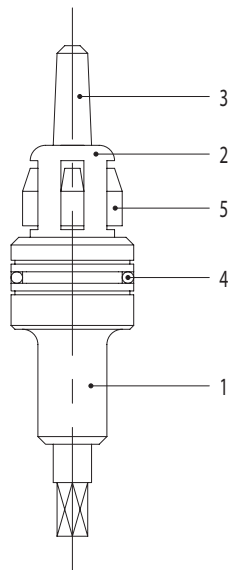


MORSA PER MANDRINARE
CLAMPING BLOCK FOR EXPANDING
MÂCHOIRE À DUDGEONNER
MORDAZA PARA MANDRILAR



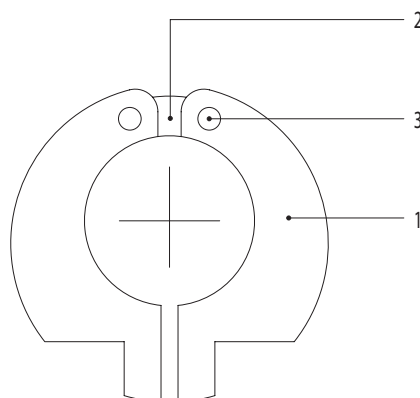
1. Basamento
Bottom block
Base
Base
2. Parte mobile
Upper part
Partie mobile
Parte móvil
3. Perno
Spindle
Tige filetée
Perno
4. Dado
Nut
Écrou
Tuerca

MANDRINO
EXPANDER
DUDGEON
MANDRIL



1. Corpo
Body
Corps
Cuerpo
2. Gabbia per rulli
Roller cage
Porte-roulement
Jaula para rodillos
3. Spina
Pin
Tige
Eje
4. Cuscinetto
Ball bearing
Palier
Cojinete
5. Rulli
Rollers
Roulements
Rodillos

STRINGITUBO TAGLIO TUBI
CUTTING WRENCH
MÂCHOIRE COUPE-TUBE
ABRAZADERA PARA CORTAR TUBOS

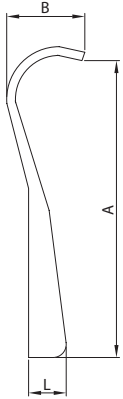


1. Ganascia
Clamp jaw
Mâchoire
Pinza
2. Linguetta
Clamp joint
Barrette
Lengüeta
3. Spina
Pin
Soupille
Pasador elástico



**CHIAVE PER RACCORDI
SPANNER FOR NUTS
CLE À RACCORDS
LLAVE RACOR**

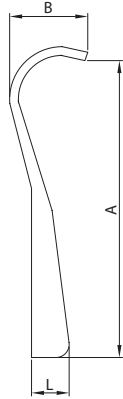
950 DS



| DN | A | B | L | gr |
|-----|-------|------|------|-----|
| 28 | 255,0 | 55,0 | 25,0 | 330 |
| 34 | 255,0 | 55,0 | 25,0 | 330 |
| 40 | 255,0 | 55,0 | 25,0 | 330 |
| 52 | 255,0 | 55,0 | 25,0 | 330 |
| 70 | 255,0 | 55,0 | 25,0 | 330 |
| 85 | 255,0 | 55,0 | 25,0 | 330 |
| 101 | 255,0 | 55,0 | 25,0 | 330 |

**CHIAVE PER RACCORDI
SPANNER FOR NUTS
CLE À RACCORDS
LLAVE RACOR**

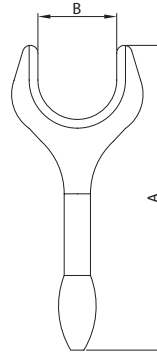
950 DS



| DN | A | B | L | gr |
|-----|-------|------|------|-----|
| 25 | 255,0 | 55,0 | 25,0 | 330 |
| 38 | 255,0 | 55,0 | 25,0 | 330 |
| 51 | 255,0 | 55,0 | 25,0 | 330 |
| 63 | 255,0 | 55,0 | 25,0 | 330 |
| 76 | 255,0 | 55,0 | 25,0 | 330 |
| 101 | 255,0 | 55,0 | 25,0 | 330 |

**CHIAVE PER RACCORDI
SPANNER FOR NUTS
CLE À RACCORDS
LLAVE RACOR**

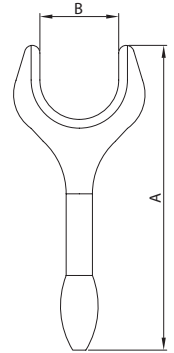
950 B



| DN | A | B | gr |
|-----|-------|-------|-------|
| 25 | 280,0 | 51,0 | 390 |
| 38 | 280,0 | 65,0 | 530 |
| 51 | 300,0 | 80,0 | 610 |
| 63 | 350,0 | 92,0 | 675 |
| 76 | 430,0 | 104,0 | 1.080 |
| 101 | 440,0 | 130,0 | 1.100 |

**CHIAVE PER RACCORDI
SPANNER FOR NUTS
CLE À RACCORDS
LLAVE RACOR**

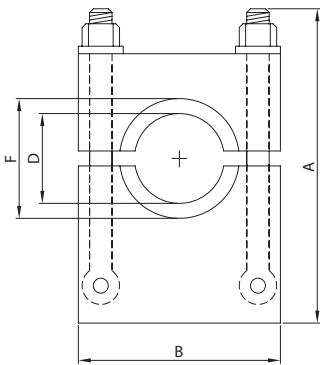
950 I



| DN | A | B | gr |
|-----|-------|-------|-------|
| 25 | 280,0 | 46,0 | 390 |
| 38 | 280,0 | 60,0 | 530 |
| 51 | 300,0 | 75,0 | 610 |
| 63 | 350,0 | 90,0 | 675 |
| 76 | 430,0 | 105,0 | 1.080 |
| 101 | 440,0 | 134,0 | 1.100 |

**MORSA PER MR.
CLAMPING BLOCK FOR EG.
MACHOIRE À DR.
MORDAZA PARA MR.**

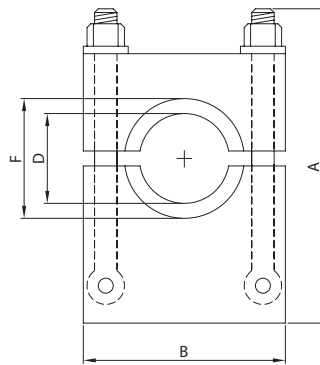
955 D



| DN | A | B | D | F | gr |
|-----|-------|-------|-------|-------|-------|
| 25 | 138,0 | 110,0 | 35,0 | 52,0 | 2.250 |
| 32 | 138,0 | 110,0 | 41,0 | 58,0 | 2.300 |
| 40 | 150,0 | 130,0 | 48,0 | 65,0 | 3.000 |
| 50 | 165,0 | 140,0 | 61,0 | 78,0 | 3.350 |
| 65 | 190,0 | 150,0 | 78,0 | 95,0 | 4.200 |
| 80 | 195,0 | 180,0 | 93,0 | 110,0 | 7.000 |
| 100 | 230,0 | 200,0 | 114,0 | 130,0 | 8.200 |

**MORSA PER MR.
CLAMPING BLOCK FOR EG.
MACHOIRE À DR.
MORDAZA PARA MR.**

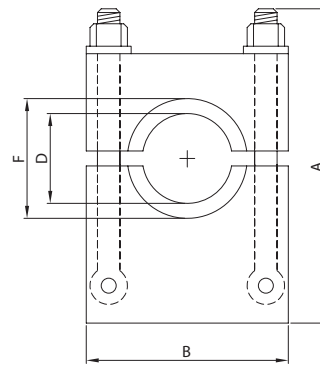
955 S



| DN | A | B | D | F | gr |
|-----|-------|-------|-------|-------|-------|
| 25 | 136,0 | 110,0 | 32,0 | 40,0 | 3.050 |
| 38 | 136,0 | 110,0 | 48,0 | 60,0 | 4.600 |
| 51 | 165,0 | 140,0 | 61,0 | 70,0 | 4.900 |
| 63 | 175,0 | 150,0 | 73,5 | 85,0 | 6.500 |
| 76 | 190,0 | 160,0 | 86,0 | 98,0 | 7.000 |
| 101 | 200,0 | 180,0 | 116,0 | 132,0 | 8.200 |

**MORSA PER MR.
CLAMPING BLOCK FOR EG.
MACHOIRE À DR.
MORDAZA PARA MR.**

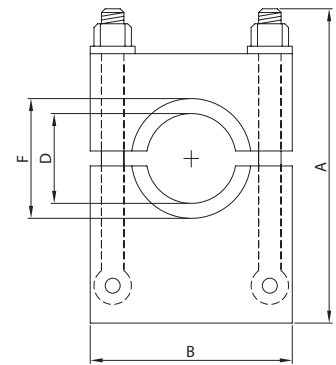
955 B



| DN | A | B | D | F | gr |
|-----|-------|-------|-------|-------|-------|
| 25 | 136,0 | 110,0 | 32,5 | 46,0 | 3.050 |
| 38 | 136,0 | 110,0 | 45,2 | 58,0 | 4.600 |
| 51 | 165,0 | 140,0 | 58,0 | 73,0 | 4.900 |
| 63 | 175,0 | 150,0 | 70,6 | 85,0 | 6.500 |
| 76 | 190,0 | 160,0 | 83,3 | 98,0 | 7.000 |
| 101 | 200,0 | 180,0 | 109,0 | 123,0 | 8.200 |

**MORSA PER MR.
CLAMPING BLOCK FOR EG.
MACHOIRE À DR.
MORDAZA PARA MR.**

955 I

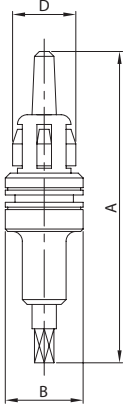


| DN | A | B | D | F | gr |
|-----|-------|-------|-------|-------|-------|
| 25 | 136,0 | 110,0 | 29,0 | 37-8 | 3.050 |
| 38 | 136,0 | 110,0 | 42,5 | 50-8 | 4.600 |
| 51 | 165,0 | 140,0 | 56,0 | 64-8 | 4.900 |
| 63 | 175,0 | 150,0 | 69,7 | 77-8 | 6.500 |
| 76 | 190,0 | 160,0 | 82,3 | 91-8 | 7.000 |
| 101 | 200,0 | 180,0 | 108,4 | 118-8 | 8.200 |



**MANDRINO
EXPANDER
DUDGEON
MANDRIN**

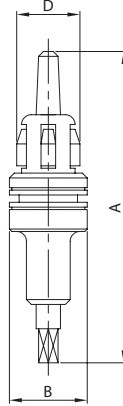
960 L



| DN | A | B | D | gr |
|-----|-------|-------|-------|-------|
| 28 | 205,0 | 35,0 | 28,0 | 540 |
| 34 | 210,0 | 42,0 | 34,0 | 840 |
| 40 | 210,0 | 47,0 | 40,0 | 1.125 |
| 52 | 210,0 | 59,0 | 52,0 | 1.725 |
| 70 | 250,0 | 77,0 | 70,0 | 3.100 |
| 85 | 260,0 | 88,0 | 85,0 | 4.300 |
| 101 | 270,0 | 107,0 | 101,6 | 6.350 |

**MANDRINO
EXPANDER
DUDGEON
MANDRIN**

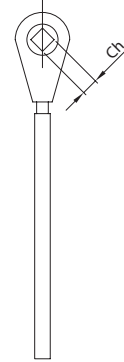
960 L



| DN | A | B | D | gr |
|-----|-------|-------|-------|-------|
| 25 | 205,0 | 35,0 | 25,4 | 465 |
| 38 | 210,0 | 42,0 | 38,1 | 1.140 |
| 51 | 210,0 | 59,0 | 50,8 | 1.725 |
| 63 | 250,0 | 77,0 | 63,5 | 2.845 |
| 76 | 260,0 | 88,0 | 76,2 | 3.840 |
| 101 | 270,0 | 107,0 | 101,6 | 6.350 |

**CHIAVE PER MANDRINO
SPANNER FOR EXPANDER
CLE À DUDGEON
LLAVE PARA MANDRIN**

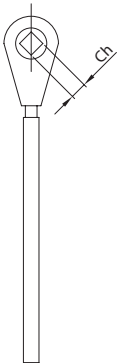
961 L



| DN | Ch | gr |
|-----|------|-------|
| 28 | 8,0 | 400 |
| 34 | 10,0 | 700 |
| 40 | 12,0 | 700 |
| 52 | 14,0 | 1.200 |
| 70 | 16,0 | 1.200 |
| 85 | 22,0 | 1.800 |
| 101 | 22,0 | 1.800 |

**CHIAVE PER MANDRINO
SPANNER FOR EXPANDER
CLE À DUDGEON
LLAVE PARA MANDRIN**

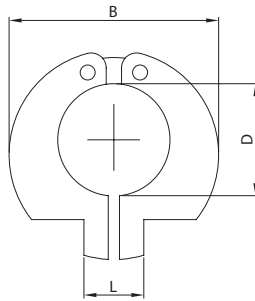
961 L



| DN | Ch | gr |
|-----|------|-------|
| 25 | 8,0 | 400 |
| 38 | 12,0 | 700 |
| 51 | 14,0 | 1.200 |
| 63 | 16,0 | 1.200 |
| 76 | 20,0 | 1.800 |
| 101 | 22,0 | 1.800 |

**STRINGITUBO TAGLIO TUBI
CUTTING WRENCH
MÂCHOIRE COUPE TUBE
ABR. PARA CORTAR TUBOS**

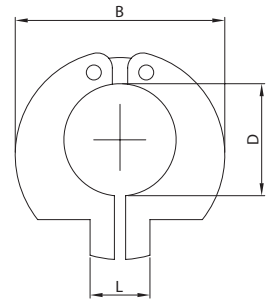
965 L



| DN | B | D | L | gr |
|-----|-------|-------|------|-------|
| 28 | 77,0 | 28,0 | 23,0 | 420 |
| 34 | 77,0 | 34,0 | 23,0 | 520 |
| 40 | 77,0 | 40,0 | 23,0 | 640 |
| 52 | 87,0 | 52,0 | 30,0 | 780 |
| 70 | 107,0 | 70,0 | 32,0 | 1.030 |
| 85 | 120,0 | 85,0 | 35,0 | 1.280 |
| 101 | 147,0 | 101,6 | 57,0 | 1.900 |

**STRINGITUBO TAGLIO TUBI
CUTTING WRENCH
MÂCHOIRE COUPE TUBE
ABR. PARA CORTAR TUBOS**

965 L

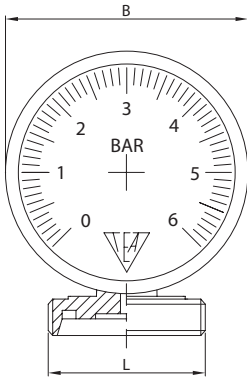


| DN | B | D | L | gr |
|-----|-------|-------|------|-------|
| 25 | 77,0 | 25,4 | 23,0 | 400 |
| 38 | 77,0 | 38,1 | 23,0 | 580 |
| 51 | 87,0 | 50,8 | 30,0 | 760 |
| 63 | 107,0 | 63,5 | 42,0 | 980 |
| 76 | 120,0 | 76,2 | 52,0 | 1.150 |
| 101 | 147,0 | 101,6 | 57,0 | 1.900 |



**MANOMETRO RADIALE
PRESS. G. RADIAL CONN.
MANOMÈTRE D'ÉQUERRE
MAN. ROSCA INFERIOR**

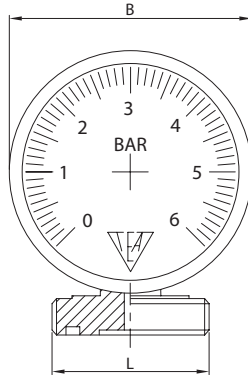
990 D



| DN | B | L | gr |
|----|------|------|-------|
| 40 | 96,0 | 65,0 | 980 |
| 50 | 96,0 | 78,0 | 1.100 |

**MANOMETRO RADIALE
PRESS. G. RADIAL CONN.
MANOMÈTRE D'ÉQUERRE
MAN. ROSCA INFERIOR**

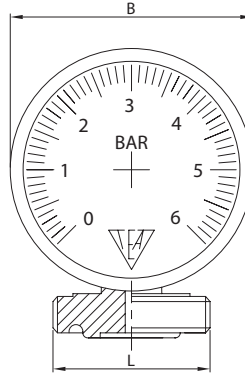
990 S



| DN | B | L | gr |
|----|------|------|-------|
| 38 | 96,0 | 60,0 | 980 |
| 51 | 96,0 | 70,0 | 1.100 |

**MANOMETRO RADIALE
PRESS. G. RADIAL CONN.
MANOMÈTRE D'ÉQUERRE
MAN. ROSCA INFERIOR**

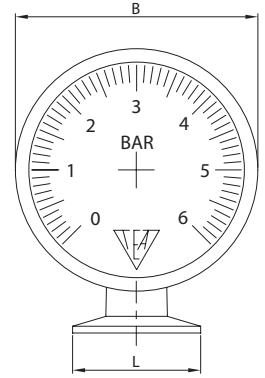
990 B



| DN | B | L | gr |
|----|------|------|-------|
| 38 | 96,0 | 58,0 | 980 |
| 51 | 96,0 | 73,0 | 1.100 |

**MANOMETRO RADIALE
PRESS. G. RADIAL CONN.
MANOMÈTRE D'ÉQUERRE
MAN. ROSCA INFERIOR**

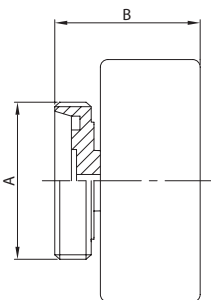
990 K



| DN | B | L | gr |
|----|------|------|-------|
| 38 | 96,0 | 51,0 | 950 |
| 51 | 96,0 | 64,0 | 1.000 |

**MANOMETRO ASSIALE
PRESS. G. BACK CONN.
MANOMÈTRE VERTICAL
MAN. SALIDA DETRÁS**

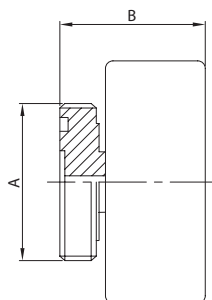
991 D



| DN | A | B | gr |
|----|------|------|-------|
| 40 | 65,0 | 58,0 | 980 |
| 50 | 78,0 | 58,0 | 1.100 |

**MANOMETRO ASSIALE
PRESS. G. BACK CONN.
MANOMÈTRE VERTICAL
MAN. SALIDA DETRÁS**

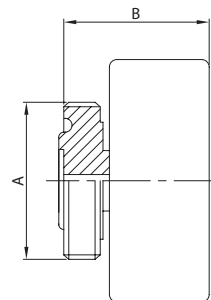
991 S



| DN | A | B | gr |
|----|------|------|-------|
| 38 | 60,0 | 58,0 | 980 |
| 51 | 70,0 | 58,0 | 1.100 |

**MANOMETRO ASSIALE
PRESS. G. BACK CONN.
MANOMÈTRE VERTICAL
MAN. SALIDA DETRÁS**

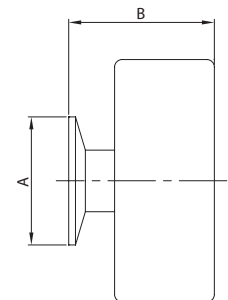
991 B



| DN | A | B | gr |
|----|------|------|-------|
| 38 | 58,0 | 58,0 | 980 |
| 51 | 73,0 | 58,0 | 1.100 |

**MANOMETRO ASSIALE
PRESS. G. BACK CONN.
MANOMÈTRE VERTICAL
MAN. SALIDA DETRÁS**

991 K



| DN | A | B | gr |
|----|------|------|-------|
| 38 | 51,0 | 58,0 | 950 |
| 51 | 64,0 | 58,0 | 1.000 |



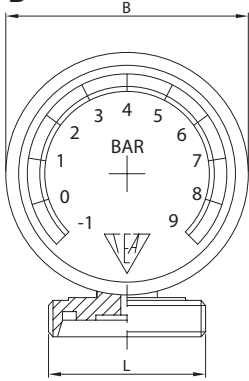
MANOVUOTOM. RADIALE
PRESS./DEPR. G. RAD. CONN.
VUOTOM. D'ÉQUERRE
VUOTOM. ROSCA INF.

MANOVUOTOM. RADIALE
PRESS./DEPR. G. RAD. CONN.
VUOTOM. D'ÉQUERRE
VUOTOM. ROSCA INF.

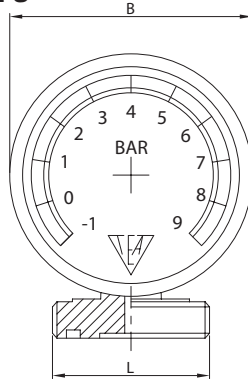
MANOVUOTOM. RADIALE
PRESS./DEPR. G. RAD. CONN.
VUOTOM. D'ÉQUERRE
VUOTOM. ROSCA INF.

MANOVUOTOM. RADIALE
PRESS./DEPR. G. RAD. CONN.
VUOTOM. D'ÉQUERRE
VUOTOM. ROSCA INF.

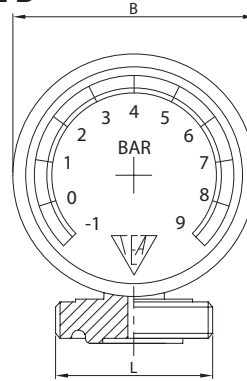
992 D



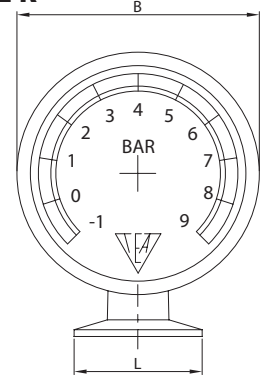
992 S



992 B



992 K



| DN | B | L | gr |
|----|------|------|-------|
| 40 | 96,0 | 65,0 | 980 |
| 50 | 96,0 | 78,0 | 1.100 |

| DN | B | L | gr |
|----|------|------|-------|
| 38 | 96,0 | 60,0 | 980 |
| 51 | 96,0 | 70,0 | 1.100 |

| DN | B | L | gr |
|----|------|------|-------|
| 38 | 96,0 | 58,0 | 980 |
| 51 | 96,0 | 73,0 | 1.100 |

| DN | B | L | gr |
|----|------|------|-------|
| 38 | 96,0 | 51,0 | 950 |
| 51 | 96,0 | 64,0 | 1.000 |

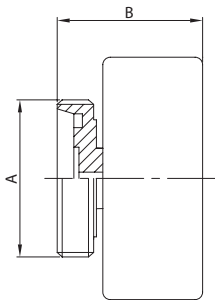
MANOVUOTOM. ASSIALE
PR./DEPR. G. BACK CONN.
VUOTOMÈTRE VERTICAL
VUOTOM. SALIDA DETRÁS

MANOVUOTOM. ASSIALE
PR./DEPR. G. BACK CONN.
VUOTOMÈTRE VERTICAL
VUOTOM. SALIDA DETRÁS

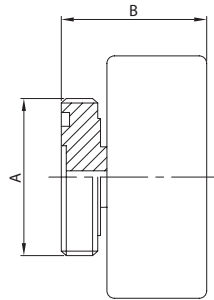
MANOVUOTOM. ASSIALE
PR./DEPR. G. BACK CONN.
VUOTOMÈTRE VERTICAL
VUOTOM. SALIDA DETRÁS

MANOVUOTOM. ASSIALE
PR./DEPR. G. BACK CONN.
VUOTOMÈTRE VERTICAL
VUOTOM. SALIDA DETRÁS

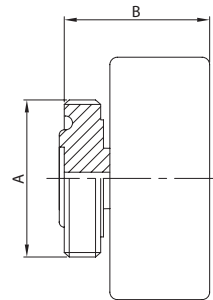
993 D



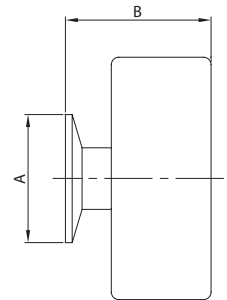
993 S



993 B



993 K



| DN | A | B | gr |
|----|------|------|-------|
| 40 | 65,0 | 58,0 | 980 |
| 50 | 78,0 | 58,0 | 1.100 |

| DN | A | B | gr |
|----|------|------|-------|
| 38 | 60,0 | 58,0 | 980 |
| 51 | 70,0 | 58,0 | 1.100 |

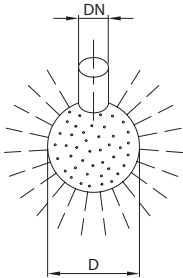
| DN | A | B | gr |
|----|------|------|-------|
| 38 | 58,0 | 58,0 | 980 |
| 51 | 73,0 | 58,0 | 1.100 |

| DN | A | B | gr |
|----|------|------|-------|
| 38 | 51,0 | 58,0 | 950 |
| 51 | 64,0 | 58,0 | 1.000 |



**SFERA LAVAGGIO
WASHING BALL
BOULE DE LAVAGE
BOLA DIFUSORA**

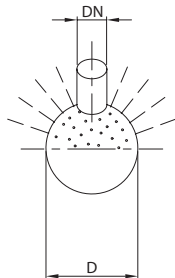
017 A



| DN | D | gr |
|------|-------|-----|
| L28 | 65,0 | 100 |
| G34 | 65,0 | 150 |
| L32 | 65,0 | 105 |
| L38 | 65,0 | 110 |
| L22 | 50,0 | 60 |
| G12 | 50,0 | 100 |
| L28 | 50,0 | 70 |
| G114 | 90,0 | 400 |
| L38 | 90,0 | 200 |
| L60 | 120,0 | 650 |
| L22 | 40,0 | 40 |

**SFERA LAVAGGIO
WASHING BALL
BOULE DE LAVAGE
BOLA DIFUSORA**

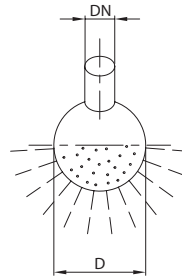
017 B



| DN | D | gr |
|------|-------|-----|
| L28 | 65,0 | 100 |
| G34 | 65,0 | 150 |
| L32 | 65,0 | 105 |
| L38 | 65,0 | 110 |
| L22 | 50,0 | 60 |
| G12 | 50,0 | 100 |
| L28 | 50,0 | 70 |
| G114 | 90,0 | 400 |
| L38 | 90,0 | 200 |
| L60 | 120,0 | 650 |

**SFERA LAVAGGIO
WASHING BALL
BOULE DE LAVAGE
BOLA DIFUSORA**

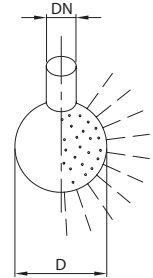
017 C



| DN | D | gr |
|------|-------|-----|
| L28 | 65,0 | 100 |
| G34 | 65,0 | 150 |
| L32 | 65,0 | 105 |
| L38 | 65,0 | 110 |
| L22 | 50,0 | 60 |
| G12 | 50,0 | 100 |
| L28 | 50,0 | 70 |
| G114 | 90,0 | 400 |
| L38 | 90,0 | 200 |
| L60 | 120,0 | 650 |

**SFERA LAVAGGIO
WASHING BALL
BOULE DE LAVAGE
BOLA DIFUSORA**

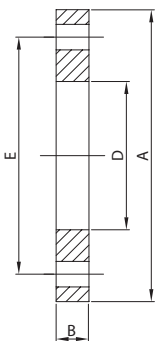
017 D



| DN | D | gr |
|------|-------|-----|
| L28 | 65,0 | 100 |
| G34 | 65,0 | 150 |
| L32 | 65,0 | 105 |
| L38 | 65,0 | 110 |
| L22 | 50,0 | 60 |
| G12 | 50,0 | 100 |
| L28 | 50,0 | 70 |
| G114 | 90,0 | 400 |
| L38 | 90,0 | 200 |
| L60 | 120,0 | 650 |

**FLANGIA UNI2276 PN6
FLANGE UNI2276 PN6
BRIDE UNI2276 PN6
BRIDA UNI2276 PN6**

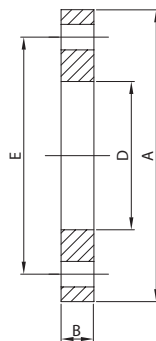
276 U



| DN | A | B | D | E | gr |
|-----|-------|------|-------|-------|-------|
| 15 | 80,0 | 10,0 | 22,0 | 55,0 | 350 |
| 20 | 90,0 | 12,0 | 27,5 | 65,0 | 500 |
| 25 | 100,0 | 12,0 | 34,0 | 75,0 | 650 |
| 32 | 120,0 | 14,0 | 43,0 | 90,0 | 1.100 |
| 40 | 130,0 | 14,0 | 49,0 | 100,0 | 1.250 |
| 50 | 140,0 | 14,0 | 61,5 | 110,0 | 1.350 |
| 65 | 160,0 | 14,0 | 77,0 | 130,0 | 1.700 |
| 80 | 190,0 | 16,0 | 90,0 | 150,0 | 2.650 |
| 100 | 210,0 | 16,0 | 115,5 | 170,0 | 3.000 |
| 125 | 240,0 | 18,0 | 141,0 | 200,0 | 3.950 |
| 150 | 265,0 | 20,0 | 170,0 | 225,0 | 4.900 |

**FLANGIA UNI2278 PN16
FLANGE UNI2278 PN16
BRIDE UNI2278 PN16
BRIDA UNI2278 PN16**

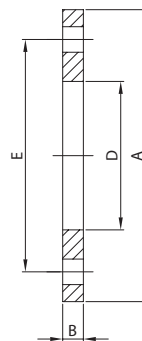
278 U



| DN | A | B | D | E | gr |
|-----|-------|------|-------|-------|-------|
| 15 | 95,0 | 12,0 | 22,0 | 65,0 | 700 |
| 20 | 105,0 | 14,0 | 27,5 | 75,0 | 850 |
| 25 | 115,0 | 14,0 | 34,0 | 85,0 | 1.100 |
| 32 | 140,0 | 16,0 | 43,0 | 100,0 | 1.700 |
| 40 | 150,0 | 16,0 | 49,0 | 110,0 | 1.900 |
| 50 | 165,0 | 18,0 | 61,5 | 125,0 | 2.550 |
| 65 | 185,0 | 18,0 | 77,0 | 145,0 | 3.150 |
| 80 | 200,0 | 20,0 | 90,0 | 160,0 | 3.700 |
| 100 | 220,0 | 22,0 | 115,5 | 180,0 | 4.600 |
| 125 | 250,0 | 24,0 | 141,0 | 210,0 | 6.100 |
| 150 | 285,0 | 24,0 | 170,0 | 240,0 | 7.650 |

**FL. UNI2278 PN16 LEGGERA
FL. UNI2278 PN16 LIGHT
BR. UNI2278 PN16 LEGÈRE
BR. UNI2278 PN16 LIGERA**

278 UL



| DN | A | B | D | E | gr |
|-----|-------|------|-------|-------|-------|
| 15 | 95,0 | 8,0 | 22,0 | 65,0 | 400 |
| 20 | 105,0 | 8,0 | 27,5 | 75,0 | 480 |
| 25 | 115,0 | 8,0 | 34,0 | 85,0 | 560 |
| 32 | 140,0 | 8,0 | 43,0 | 100,0 | 800 |
| 40 | 150,0 | 10,0 | 49,0 | 110,0 | 1.100 |
| 50 | 165,0 | 10,0 | 61,5 | 125,0 | 1.400 |
| 65 | 185,0 | 10,0 | 77,0 | 145,0 | 1.700 |
| 80 | 200,0 | 12,0 | 90,0 | 160,0 | 2.160 |
| 100 | 220,0 | 12,0 | 115,5 | 180,0 | 2.400 |
| 125 | 250,0 | 12,0 | 141,0 | 210,0 | 3.050 |
| 150 | 285,0 | 14,0 | 170,0 | 240,0 | 4.340 |

