



Benefits

- ⊖ Easy to install
- ⊖ Space saving construction
- ⊖ Efficient drive
- ⊖ Easy adjustments
- ⊖ Simple belt change
- ⊖ Belt tensioned and tracked

About Interroll

Established in 1959, Interroll has grown to become the world's leading supplier of key products for internal logistics. Whether boxes, pallets or soft goods are to be handled, no other supplier has such a complete product range on offer.

That is why system integrators, OEMs and operators select Interroll as their partner for their logistics business. Worldwide.

The Interroll global network ensures quick delivery and superior service for every local customer. We inspire our customers and provide opportunities for them to increase efficiency.

interroll.com

Interroll reserves the right to modify the technical characteristics of all its products at any time. Technical information, dimensions, data and characteristics are indicative only.



Light Industrial Conveyor
**Cost efficiency and
simplicity**



Interroll Light Industrial Conveyor: **Space saving meets cost efficiency**

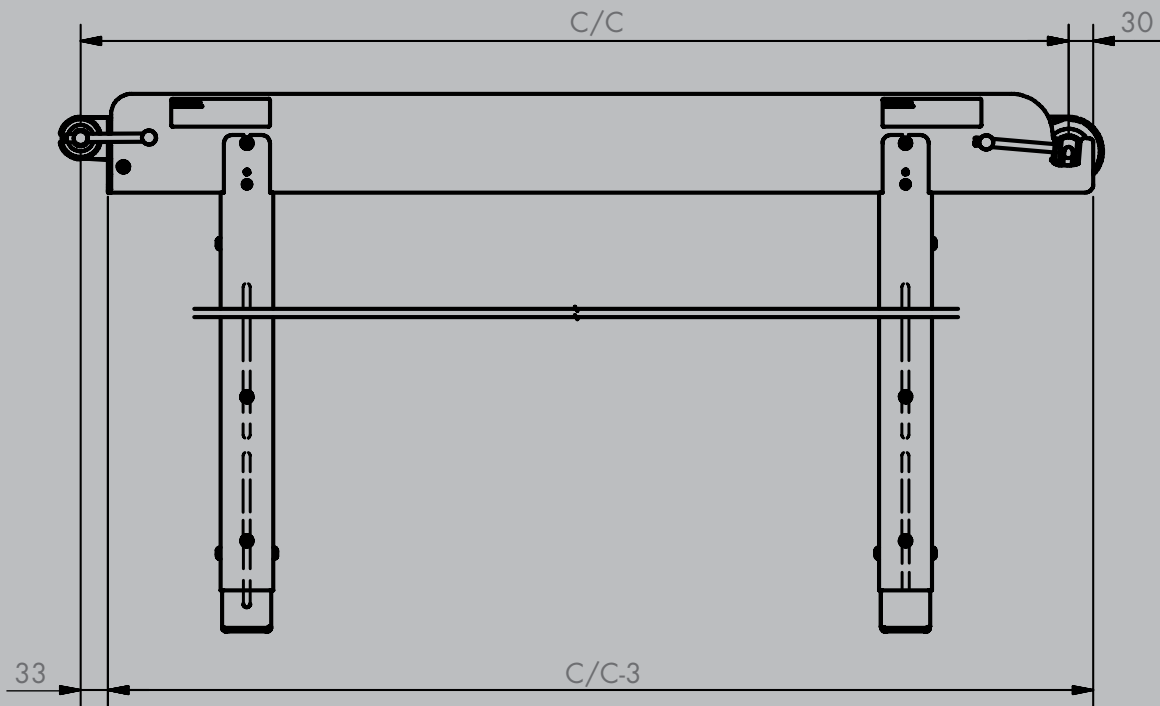
When it comes to the production requirements of the light industry, space utilization is just one of key success factors. Another one - efficiency - helps to save the costs and reduce the footprint.

The demand for equipment that meets those needs is perfectly covered by the Interroll Light Industrial Conveyor.

This cost-efficient, easy-to-handle solution is based on a simple construction with lean design. There is no time consuming assembly or belt tensioning, thanks to clever plug-and-play construction.

The belt is already tensioned and tracked and the conveyor is run in before delivery. This makes on-site installation very quick and easy.

The lean construction of the conveyor without protruding external parts - like a gear motor, for example - is enabled by compact Interroll Drum Motors, allowing for more effective use of space. The unique quick tension release makes changing belts very easy, even without special skills. The Interroll Light Industrial Conveyor is based on patented Interroll technology.



Product overview:

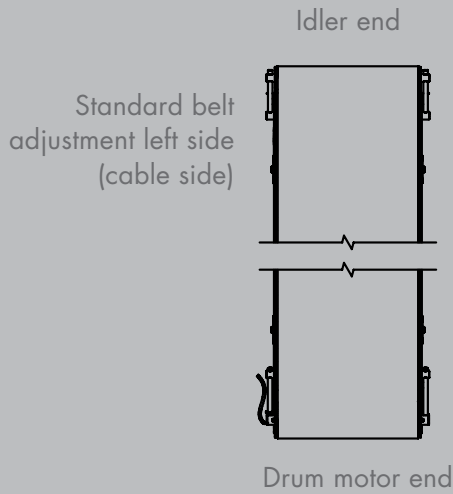
Technical Data

Technical data

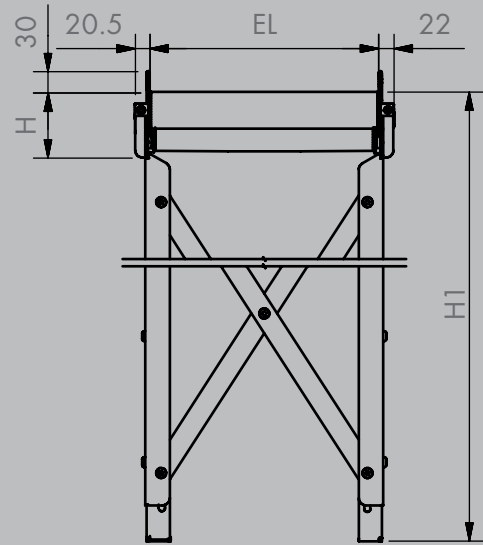
Load capacity	up to 50kg
Belt speed	0.11 - 0.34 m/s, others on request
Conveyor dimensions	Length C/C: 800 - 2980 mm Width EL: 300 - 600 mm Recommended minimum Length/Width ratio: 2
Incline/decline	Possible
Ambient temperature	+10° to + 40°C
Voltage	1x230 V-50 Hz, 3x230-50 Hz, 3x400 V-50 Hz, 24V DC
Drum motor diameter	Ø 80 mm or Ø 113 mm
Idler diameter	Ø 51 mm (Interroll Series 1700)

Materials

Frame, support legs and profile	2 mm hot-dip coated galvanized steel, S profile
Drum motor	Shell surface protected, end housings and shaft caps aluminum
Idler	Shell galvanized, end housings and end caps technopolymer
Belt	Black PVC/PET, 2mm, 2-ply, others on request Pretension of belt 0.3 %



Belt adjustment right side (cable side)



	H in mm	H1 in mm		
		Standard feet	Machine feet	Wheels
Ø80 Drum motor	90	640 - 815	669 - 928	777 - 952
Ø113 Drum motor	137	647 - 825	674 - 938	784 - 962

Accessories



End cover

For protection of idler and drum motor from surrounding objects and obstacles.



Machine wheels

To be mobile or more flexible in operation, please choose machine wheels. A swivel castor with total lock is made from high grade synthetic materials and double ball bearing.



Machine feet

For higher stability with no-slip disk and adjustable height (86 mm). They are resistant to solvents, oil, greases and other chemical agents.