

PLUMMER BLOCK BRACKET FOR DRUM MOTOR AND IDLER PULLEY



Accessories
Mounting
Brackets

Set of brackets for mounting an idler pulley

Product Description

- Application**
- ✓ For Drum Motors and Idler Pulleys 80i, 113i, 138i, 165i and 217i
 - ✓ For Drum Motors and Idler Pulleys 80D, 88D and 113D

Product Range

Drum Motor	Material	Art. No.
80i	Aluminum	61008580
113i	Aluminum	61008581
138i	Aluminum	61008582
165i/217i	Cast iron	61009983
	Stainless steel	61100431
80D	Aluminium	61010381
88D/113D	Aluminium	61010382

Brackets for
Asynchronous
Motors

Dimensions

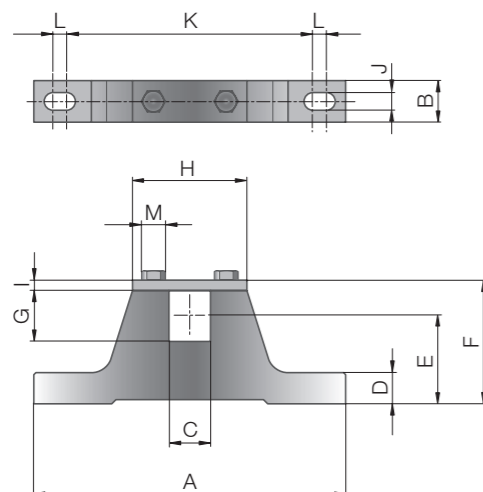


Fig.: Bracket 80i - 217i

Drum Motor	A mm	B mm	C mm	D mm	E mm	F mm	G mm	H mm	I mm	J mm	K mm	L mm	M	Material	Weight kg
80i	100.0	10.0	13.5	12.0	35.0	47.5	16.5	35.0	4.0	6.5	72.5	7.5	M6	Alu	0.14
113i	150.0	20.0	20.0	15.0	42.0	59.5	24.5	55.0	5.0	8.5	118.5	6.5	M6	Alu	0.50
138i	150.0	20.0	20.0	15.0	44.5	64.5	29.5	55.0	5.0	8.5	118.5	6.5	M6	Alu	0.52
165i/217i	170.0	20.0	30.0	20.0	50.0	75.0	39.5	70.0	5.0	11.0	116.0	14.0	M8	Stainless steel	0.80
165i/217i	187.0	40.0	30.0	22.0	50.0	75.0	36.0	72.0	5.0	14.0	110.0	20.0	M10	Cast iron	1.30

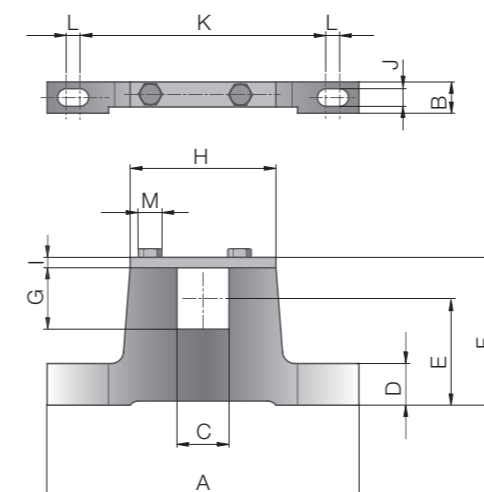


Fig.: Bracket 80D, 88D, 113D

Drum Motor	A mm	B mm	C mm	D mm	E mm	F mm	G mm	H mm	I mm	J mm	K mm	L mm	M	Material	Weight kg
80D	150.0	15.0	25.0	20.0	51.0	71.0	29.5	70.0	5.0	8.5	108.0	12	M6	Alu	0.20
88D/113D	150.0	15.0	25.0	20.0	66.5	101.0	29.5	70.0	5.0	13.0	108.0	12	M6	Alu	5.0

Brackets for
Synchronous
Motors