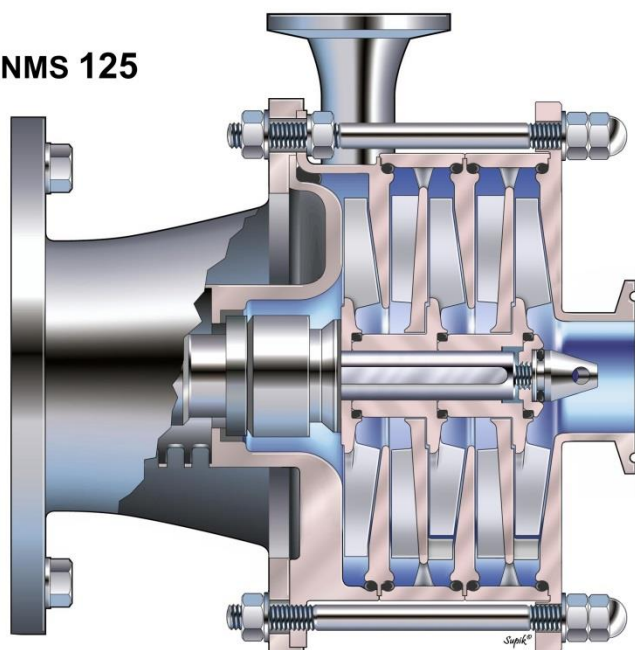


Multi-stage centrifugal pump

NMS 125



NMS 185



NMS multi-stage pump

- Construction according to EHEDG guidelines.
- All wetted parts in contact in 1.4404/316L or duplex
- Investment cast pump casing and impeller
- Open impeller, so easy to clean during CIP
- **Very low** NPSH and **high efficiency**
- Surface finish: electropolished
- Mechanical seal according to EN 12756
- Motors according to IEC specifications
- Connections: EN 1092-1



Applications

Typical applications: process pump for plate heat exchangers, filters, filling machines and high pressure cleaning systems.

Medium

Clean and slightly charged liquids with maximum viscosity of 250 cSt.

