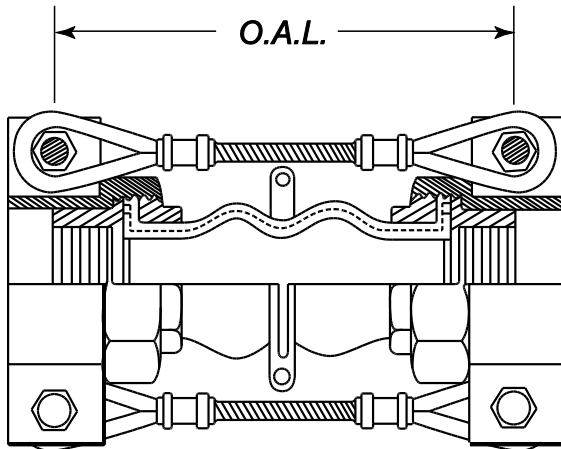


**ULTRA  
SPHERE  
Series 303  
Double Sphere  
Union Connector**



**Construction, Materials:**

**Body Elastomer:** EPDM

**Reinforcing:** Nylon

**Ends:** Galvanized ductile iron  
Unions, control cables

**Body Ring:** Factory Installed Steel

**Maximum\* Operating  
Temperature:** 200° F.

**Vacuum Rating:** 16 In. Hg.

Qty	Size (Inches)	Overall Length (Inches)	Female Union Connections NPT Thread	Steel Control Cables	Movement Ratings				Oper Press (PSIG)	Wght (Lbs)
					Axial Comp (Inches)	Axial Elong (Inches)	Lateral Deflect (Inches)	Angular Deflect (Deg)		
	3/4	8	ANSI B-2.1	Galvan.	.87	.23	.87	30	150	2.6
	1	8	ANSI B-2.1	Galvan.	.87	.23	.87	25	150	3.6
	1-1/4	8	ANSI B-2.1	Galvan.	.87	.23	.87	25	150	4.3
	1-1/2	8	ANSI B-2.1	Galvan.	.87	.23	.87	20	150	5.5
	2	8	ANSI B-2.1	Galvan.	.87	.23	.87	15	150	7.0
	2-1/2	8	ANSI B-2.1	Galvan.	.87	.23	.87	12	150	11.0
	3	8	ANSI B-2.1	Galvan.	.87	.23	.87	10	150	12.6

\*Operating pressures are rated up to 165°F. Contact Unisource for pressure ratings at higher temperatures. Metal connectors may be required in combination high pressure/high temperature applications.

Customer: \_\_\_\_\_

Project: \_\_\_\_\_

Engineer: \_\_\_\_\_

PO#: \_\_\_\_\_

**UNISOURCE<sup>®</sup>MFG.**

*Unisource Ultra-Sphere Series 303  
Double Sphere Union Connector*

9/22/2014