



# DISCSTAR™ P

## LENTICULAR HOUSING

The choice for pharmaceutical and critical filtration applications



The DISCSTAR™ P is an economical stainless steel filter housing for lenticular depth filter modules. The enclosed system allows high capacity depth filtration with no drip loss (no edge leaking). Designed and manufactured for heavy duty use – 24/7. System of choice for frequently changing filtration applications in the pharmaceutical industry. This system provides pressure stability up to 10 bars.

### Applications

Its high filtration performance, top manufacturing quality and comprehensive set of certificates meet the high standards of sensitive applications such as:

- Biotech
- Pharmaceuticals (intermediates, APIs, vaccines, injectables, ...)
- Cosmetics
- Chemicals (hazardous liquids, solvents, glues, paints, inks, surfactants, process water, ...)
- ...

### Features

- Easy handling
- Slanted internal base plate for maximum draining
- Simple and fast exchange of the lenticular modules
- High chemical resistance
- Small foot print
- Available for 12" and 16" modules
- Low investment cost with a relatively large filter area
- Easy CIP cleaning possible
- Easily adaptable to your process due to in-house production

Filter area				
	Size 1	Size 2	Size 3	Size 4
DISCSTAR™ P 0.6	0.68 m <sup>2</sup> (7.3 sq ft)			
DISCSTAR™ P 30	1.8 m <sup>2</sup> (19 sq ft)	3.6 m <sup>2</sup> (39 sq ft)	5.4 m <sup>2</sup> (58 sq ft)	7.2 m <sup>2</sup> (78 sq ft)
DISCSTAR™ P 40	n. a.	7.2 m <sup>2</sup> (78 sq ft)	10.8 m <sup>2</sup> (116 sq ft)	14.4 m <sup>2</sup> (155 sq ft)

Technical data							
DISCSTAR™ type	Size 12" = 30 16" = 40		Max. operating pressure	Max. operating temperature	Inlet / outlet connection	Module interlock	Closing mechanism
DISCSTAR™ P 30 + 40	30	40	Liquid: 10 bar / 145 psi Gas / steam: 0.5 bar / 7 psi	Liquid: 140°C / 285°F Gas / steam: 95°C / 203°F	With welded tube bent 90° TC DIN 32676 (1" for DISCSTAR™ 30/1, 1.5" for all other DISCSTAR™ P 30 and 2" for all other DISCSTAR™ P 40)	DOR	Swing bolts
DISCSTAR™ P 0.6	30	X	Liquid: 10 bar / 145 psi Gas / steam: 0.5 bar / 7 psi	Liquid: 140°C / 285°F Gas / steam: 95°C / 203°F	With welded tube bent 90° TC DIN 32676 (1")	DOR	Swing bolts

Limiting factor for the Δp of a module is the sheet grade and the application.

Material					
	Stainless steel material (product contact)	Other stainless steel parts	Surface finish (inside)	Surface finish (outside)	Gaskets
DISCSTAR™ P	AISI 316 L	AISI 304	Electro polished Ra < 0.8 µm	Electro polished Ra < 1.2 µm	EPDM

### Options

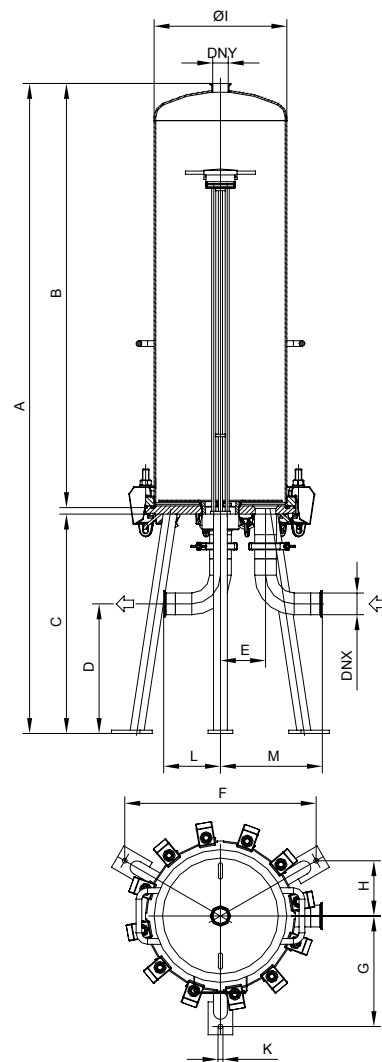
The typical setup requires gauges and valves, as well as a check valve. For DISCSTAR™ P many options are available:

- Air vent is with NG 63 membrane manometer.
- Connections can be TC-clamp (sanitary, DIN 32676), dairy (DIN 11851) or flange (DIN 2633).
- Housings with a higher edge at the base plate help to avoid spillage of hazardous liquids.
- For filtrations with controlled temperature (cooling or heating) we recommend a double shell dome for temperature controlled liquid.

- For larger filter area, DISCSTAR™ P is also available as a multistack housing. (Up to 4 stacks, 4 high, 16 x 16" modules under one dome).
- Gaskets: EPDM (standard), silicone, Viton® or Teflon® encapsulated silicone.
- Converters from double-O-ring to flat gasket adaptors are available for both directions. They can be quickly and easily applied.
- ASME versions available.

Dimensions (mm)								
	DISCSTAR™ P 0.6	DISCSTAR™ P 30				DISCSTAR™ P 40		
		Size 1	Size 2	Size 3	Size 4	Size 2	Size 3	Size 4
A		691	1052	1327	1602	1362	1657	1953
B		446	726	1001	1276	772	1067	1363
C		215	296			562		
D		150	185			415		
E		110				164		
F		329	355			589		
G		190	205			340		
H		95	103			170		
I		324				450		
L		49	177			256		
M		159	177			256		
DNX	DN 50 DIN 32676							
DNY	DN 10 DIN 32676							

Vol./weight (approx.)								
	DISCSTAR™ P 0.6	DISCSTAR™ P 30				DISCSTAR™ P 40		
		Size 1	Size 2	Size 3	Size 4	Size 2	Size 3	Size 4
Void vol. (l)	9.4	30	52	76	99	109	154	199
Empty (kg)	55	59	68	78	88	119	130	141
Full (kg)	64.4	89	120	154	187	228	284	340
Dome (kg)	16	20	28	36	45	41	52	63



**FILTROX quality assurance**

FILTROX assures the best quality control according to international standards:

- ISO 9001 (quality management).
- Vessel and equipment fulfil the requirements according to AD-2000.
- The module housings are manufactured according to good engineering practice.

**Piping system**

By customer request

**Documents (on request)**

- Ferrite measurements
- Surface roughness ( $< 0.8 \mu\text{m}$  [Ra])
- Certificate gaskets (FDA)
- Material certificate 3.1 or 2.2 (only for material in direct contact with the product)
- Guideline ATEX 94/9/EG
- ASME (U-Stamp)
- Pressure vessel guideline DGR 97/23/EG
- EU Guideline 89/392/EWG
- Welder certificate
- Pickle protocol