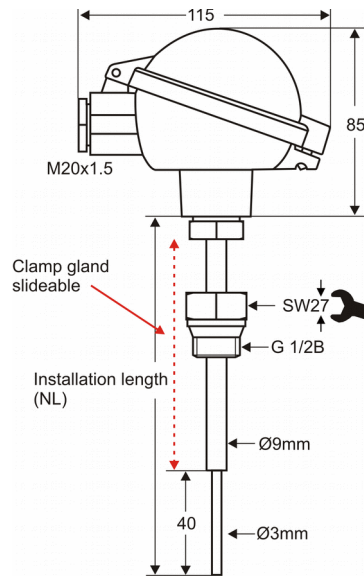


Product Information

**Safety Thermocouple
 Sensor TC293**



Dimensions



Characteristics

- Fast response sensor for measurement in exhaust gas and air
- Certified as Sensor for Safety Temperature Limiters STL50 for gaseous media acc. to SIL 2 (DIN EN 61508) and DIN EN 14597 (substitute DIN 3440)
- Ex certified to ATEX Ex-i GD for gases and dust
- Sensor with 2 x thermocouples J, K or N, isolated
- Max. operating temperature depends to the thermocouple
- Process pressure 25 bar
- Protection tube D = 9/3 mm, Inconel 600 W-No. 2.4816
- Process connection clamp gland G ½ B
- Terminal head BSZ (Aluminum) IP65 with snap-lid

Temperature equalization

The 63.2 % step-response time of temperature variation at the probe tip will be:

Medium T63.2%
 Exhaust typical 20 s
 Air typical 22 s

Ordering code

1. 2. 3. 4. 5. 6. 7. 8.
 - - - - - - -

1. Type	TC293
2. Variation	00 Standard Ex Ex certified acc. to ATEX Ex-i GD
3. Double-thermocouple	2J type J (Fe-CuNi) operating temperature -100..+600 °C cable color black(+), white(-) 2K type K (NiCr-Ni) operating temperature -100..+900 °C cable color green(+), white(-) 2N type N (NiCrSi-NiSi) operating temperature -100..+1000 °C cable color pink(+), white(-)
4. Protection tube diameter	9/3 9mm to 3mm reduced
5. Installation length NL	100 100 mm 160 160 mm 250 250 mm 400 400 mm 600 600 mm XX custom length
6. Process connection	KV ½ B clamping sleeve slide-able ½ "
7. Terminal head	BSZ with snap-lid (Aluminum)
8. Max. operating temperature	see thermocouple type

(Custom variation on request)