

Product Information

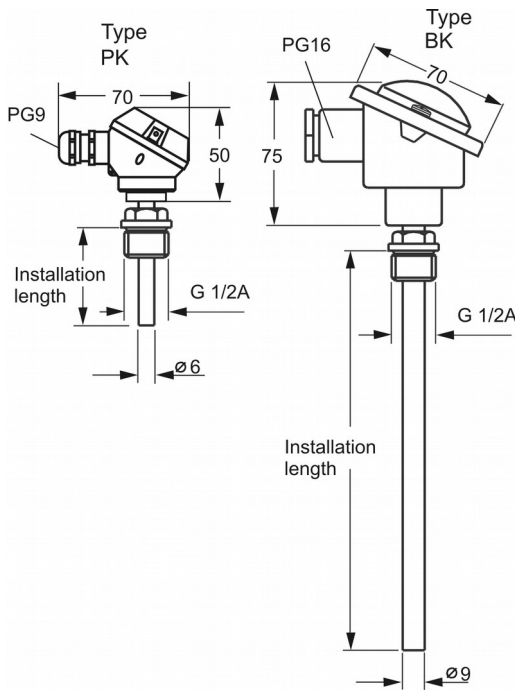
**Temperature Sensor
 8000, 8100/A, 8100/C**



Characteristics

- Thermocouple Fe-CuNi (type J); NiCr-Ni (type K)
- RTD Pt100/Pt1000 class B,
- Protective tube, stainless steel 1.4571
- Connection head form BK/PK, DIN 43729, IP65
- Head transmitter optional

Dimensions



Ordering code

1. 2. 3. 4. 5. 6. 7. 8. 9. 10.
 - - - - - - - - -

1. Measuring element	
8000-J	thermocouple Fe-CuNi (type J)
8000-K	thermocouple NiCr-Ni (type K)
8100/A	Pt100 class B
8100/C	Pt1000 class B
2. Number of elements	
1	
2	
3. Connection type	
2L	2-wire
3L	3-wire (only 8100, Pt100)
4L	4-wire (only 8100, Pt100)
4. Measuring tip diameter	
6	6 mm
8	8 mm
9	9 mm
11	11 mm
5. Installation length [mm]	
40	40 mm
100	100 mm
160	160 mm
250	250 mm
400	400 mm
600	600 mm
xx	custom length
6. Neck pipe length [mm]	
0	without
50	50 mm
100	100 mm
xx	custom length
7. Connection head	
PK	form P (miniature head) IP65
BK	form B (standard) IP65
8. Process connection	
without	
G 1/2	fixed gland 1/2 "
G 3/4	fixed gland 3/4 "
G1	fixed gland 1"
KV 1/2	clamp connection 1/2 "
KV 3/4	clamp connection 3/4 "
KV1	clamp connection 1"
9. Operating temperature	
xx	element depending
10. Options	
00	without option
T4	integrated head transmitter 4..20mA

(other versions on request)