

BUTTERFLY VALVE CK



Butterfly valve CK with pneumatic actuator.

TECHNICAL DATA

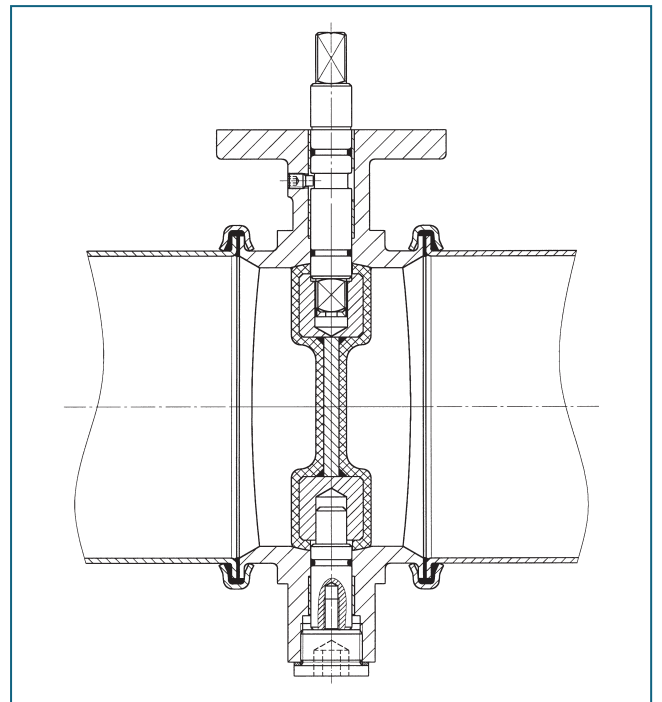
Nominal diameter:	3 inch - 10 inch
Face to face:	EBRO works standard
Top flange:	EN ISO 5211
Tightness check:	EN 12266 (Leakage rate A) ISO 5208, Category 3
Temperature range:	+14°F to +140°F (depending on pressure and media)
Operating pressure:	max. 44 psi
Body:	Aluminium
Disc:	ball contour NBR-white coated 90° Shore A (FDA harmless) overdimension to body seat
Shaft:	AISI 316 (1.4401) alternative upon request

FEATURES

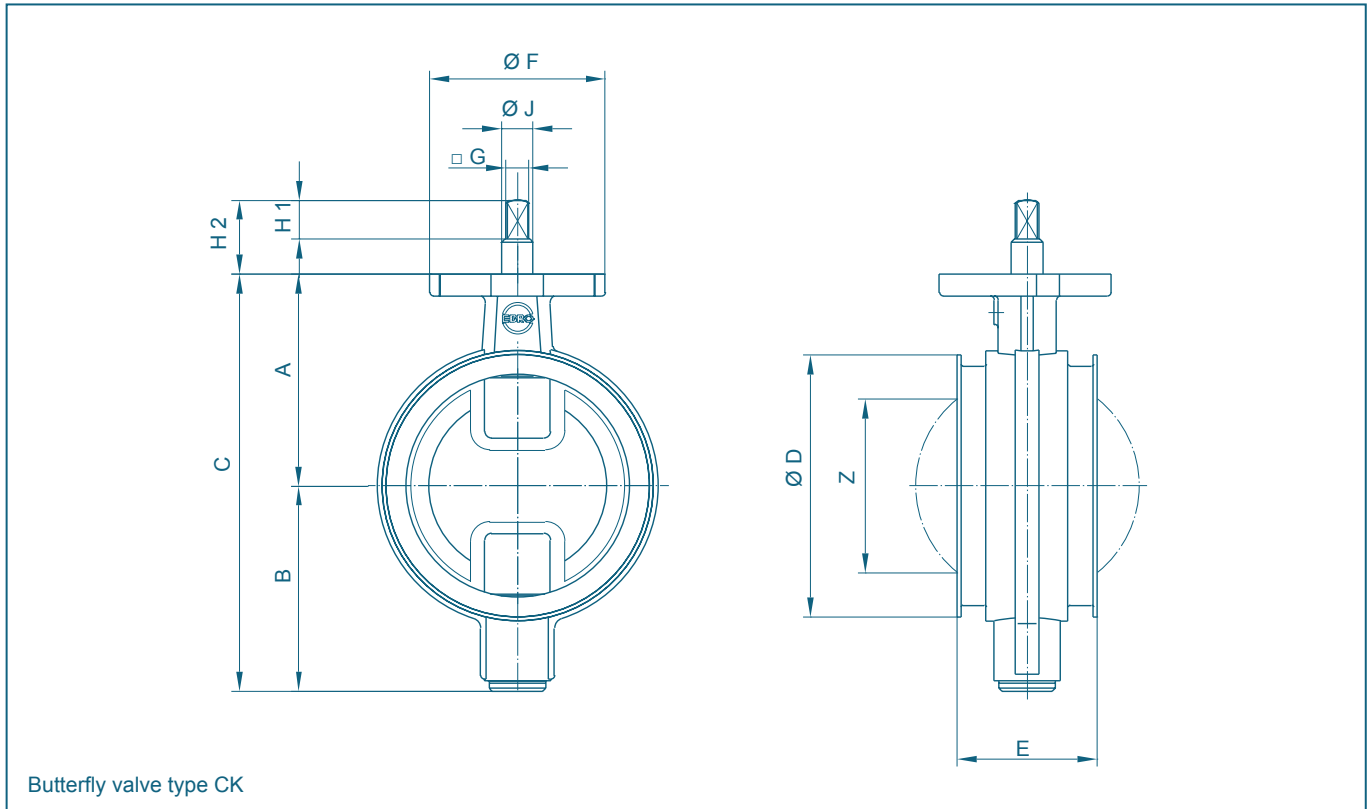
- Wafer pattern butterfly valve with centrally mounted disc
- Body with mutual bond for clamp ring connection
- The inside contour is spherically machined
- Through-going seat without any edges
- Low consumption
- Fast and easy dismantling
- Maintenance-free

GENERAL APPLICATIONS

- Food industry
- Bulk goods



BUTTERFLY VALVE CK



Butterfly valve type CK

DN [mm]	Size [in]	Dimensions [in]											Weight [lb]	
		A	B	C	D	E	F	Flange	G	H1	H2	J		Z
80	3	3.39	3.43	6.81	3.62	2.60	2.56	F05	0.39	0.63	1.18	0.47	1.30	2.00
100	4	3.78	3.82	7.60	4.53	2.68	2.56	F05	0.39	0.63	1.18	0.47	2.60	2.90
120	5	4.29	4.13	8.43	5.31	2.83	3.54	F07	0.47	0.79	1.50	0.63	3.50	4.20
200	8	7.05	6.54	13.58	8.46	3.35	3.54	F07	0.63	0.79	1.50	0.79	6.89	12.80
250	10	8.11	7.44	15.55	10.43	3.35	3.54	F07	0.63	0.79	1.50	0.79	9.06	17.00

Subject to change without notice