

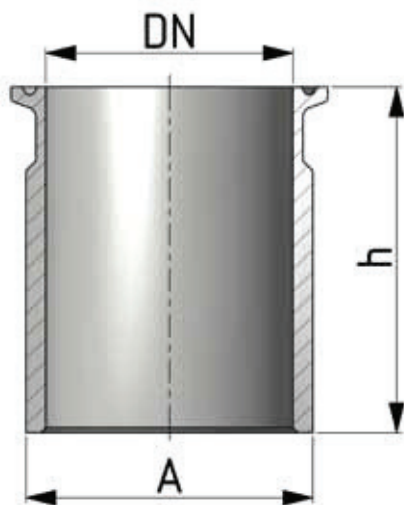
7.4 TC-Nozzle

acc. DIN 32676

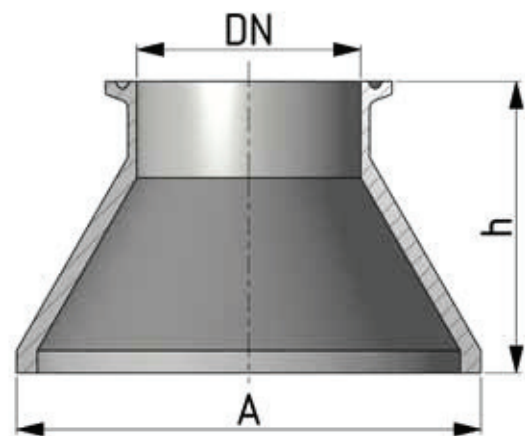
Standard design

- Material: 1.4404 or 1.4435 (1.4462, 2.4602, etc. (on request))
- DN: from 6 to 200
- h: against customers requirements (standard h = 40 mm)
- Conical shaped
- Heavy wall, on demand (standard t = 4 mm)
- Surface: machined Ra < 1,2 µm

Cylindrical shape



Conical shape



zimmerlin
EDELSTAHL-TECHNIK



Zimmerlin GmbH
Edelstahl-Technik
Frohmatenstr. 19
D-79268 Bötzingen

Tel. +49(0)7663-6088-0
Fax +49(0)7663-6088-88
info@zimmerlin.de
www.zimmerlin.de

Stand: Juni 2015

