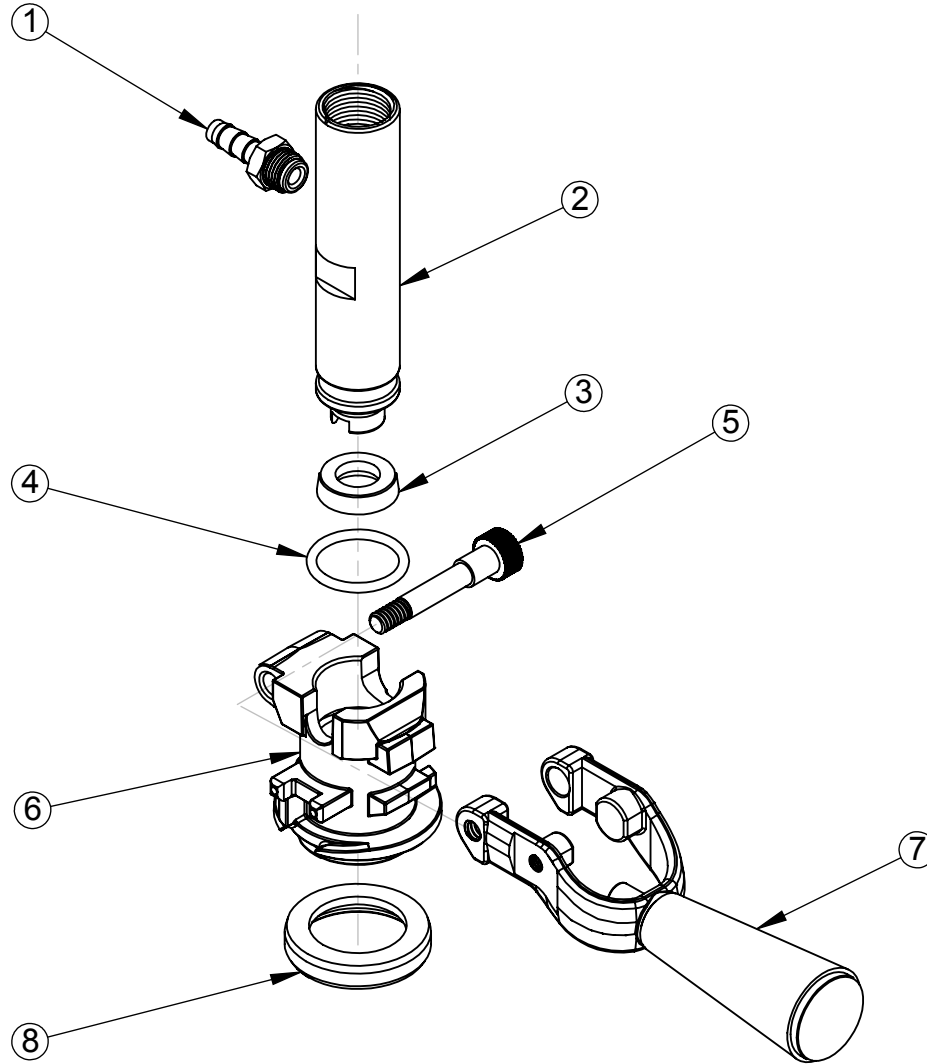


# FT50 TAP FOR CYLINDER PUMP WITH BLACK LEVER

## PARTS BREAKDOWN



<u>Index No.</u>	<u>Part No.</u>	<u>Description</u>
1.	1778-2P	Nipple, Nickel Hose
2.	FT50-9	Probe, Picnic Plated
3.	FT40-15	Washer, Probe Molded
4.	70228	O-RING for Body
5.	FT45-2N	Screw, Nickel Plated
6.	FT50-1	Picnic, Tap Body Plated
7.	FT45-8BK	Handle Assy, Black
8.	24253	Seal, Bottom