

KEGERATOR TO HOMEBREW CONVERSION INSTRUCTIONS

For converting a standard commercial kegerator to use with both homebrew corny kegs and commercial kegs

Your kit should include the following items:

- 1 ea: GB Socket, Gray (Gas) with 7/16" Male Flare Fitting
- 1 ea: GB Socket, Black (Beer) with 7/16" Male Flare Fitting
- 1 ea: 1" Hex Beer Nut
- 1 ea: Rubber Beer Washer
- 2 ea: Beer Stem, 7/16" Male Flare Fittings
- 1 ea: 1/4" Barb Fitting, With 7/16" Female Flare Nut
- 1 ea: 5/16" Barb Fitting, With 7/16" Female Flare Nut
- 2 ea: Flare Washers
- 2 ea: Hose Clamps (Worm Drive)

STEP 1:

Release all CO2 pressure from your existing beer system. To do this, first turn off the valve on the CO2 tank and bleed out any remaining gas by adjusting your regulator all the way back down to 0 psi. Next release pressure from the beer supply by disconnecting the coupler from the keg.

STEP 2

Cut the gas and beer lines running to your coupler. Make sure to cut the lines as close to the coupler as possible. (See FIGURE 1)

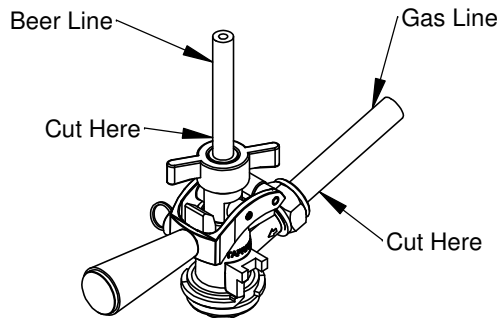


FIGURE 1

STEP 3

Slide the hose clamps over the open gas and beer lines. Push the 1/4" barb fittings with nuts into the open lines. Secure the fittings to the lines with the hose clamps. (See FIGURE 2) NOTE: soak lines in HOT water for easier assembly with fittings.

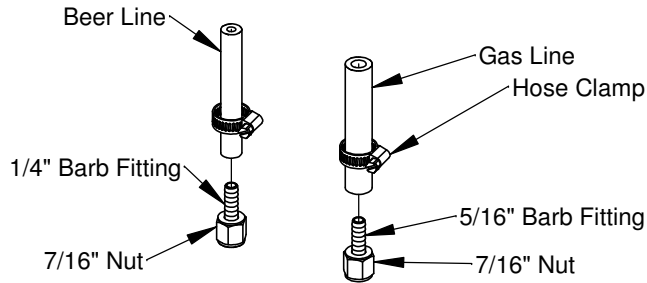


FIGURE 2

STEP 4

Remove the barb fittings from your standard keg coupler. Make sure to keep the nut from the gas barb fitting and the rubber valve that is under the gas barb fitting. If you have a wing nut connecting the beer line barb fitting, you do not need to keep it. (See FIGURE 3)

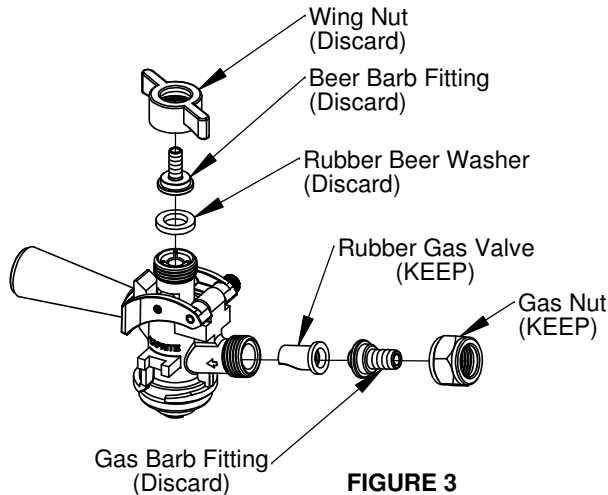


FIGURE 3

STEP 5

Attach the beer stems to the gas and beer ports of your coupler. Use the new beer nut and beer washer included with the kit. Make sure the rubber valve is in place under the gas fitting. (See FIGURE 4)

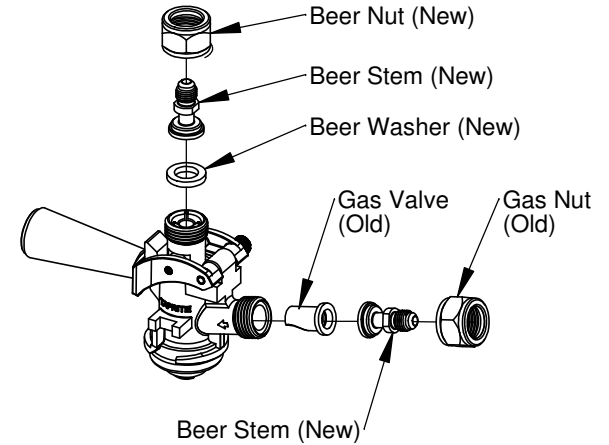


FIGURE 4

STEP 6

Screw the new gas and beer lines onto your modified coupler. Make sure to use the included flare washers when attaching to the coupler. You may not need the flare washers when attaching to a homebrew keg. (See FIGURE 5)

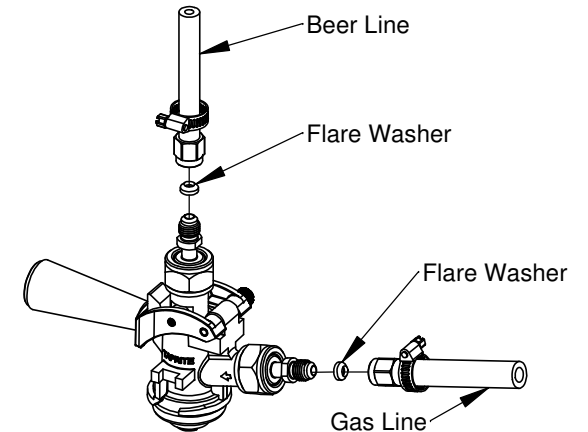


FIGURE 5

STEP 7

Attach the GB socket fittings to your homebrew corny keg. Attach the GRAY fitting to the GAS port and the BLACK fitting to the BEER port.

STEP 8

To switch between a standard keg and a homebrew corny keg, simply unscrew the gas and beer lines from one system and screw them on to the other. You are now ready to enjoy your beer!