

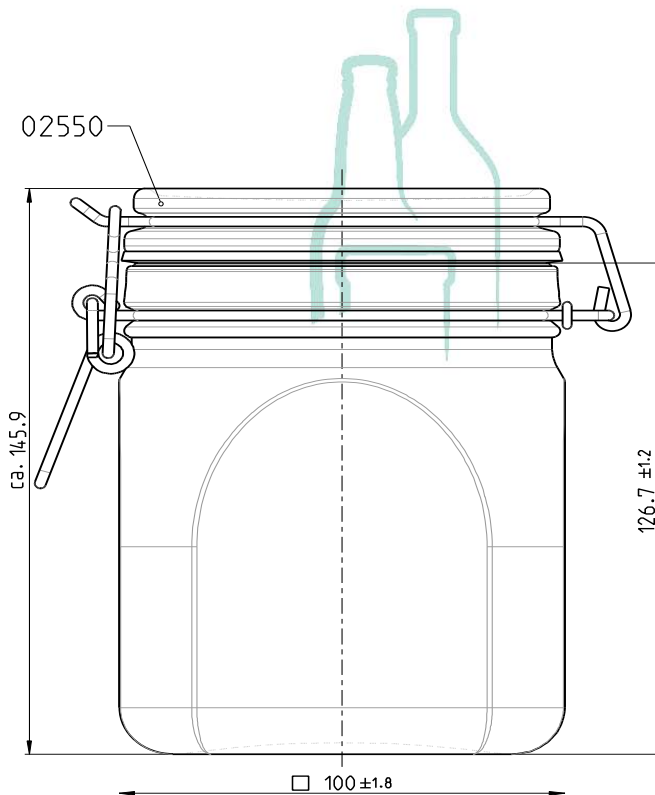
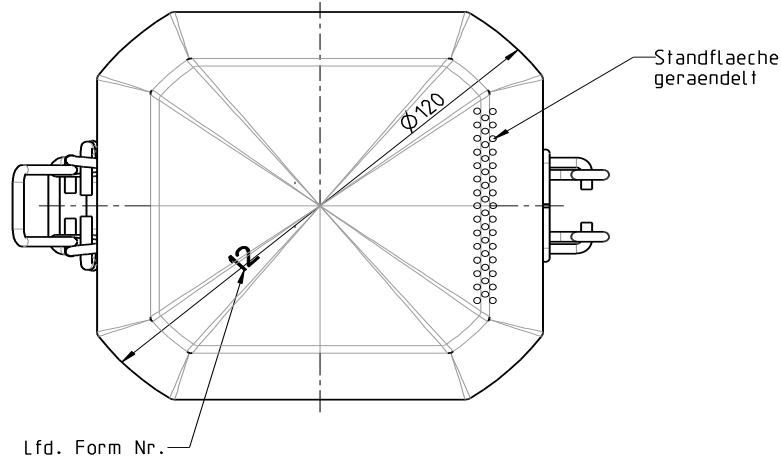


working with you

Alpha Place, Garth Road  
Morden, Surrey  
SM4 4LX England

(T): +44 208 337 2945  
(E): sales@croxsons.com  
[WWW.CROXSONS.COM](http://WWW.CROXSONS.COM)

Registered Office as above. Registered No: 71941



|                   |                  |                    |             |                   |                           |
|-------------------|------------------|--------------------|-------------|-------------------|---------------------------|
| DESCRIPTION:      | 900ml Kilner Jar |                    | ITEM CODE:  | CRNC9443          |                           |
| COLOUR:           | Flint            |                    | WEIGHT:     | 613g              |                           |
| NOMINAL CAPACITY: | 900ml            | BRIMFULL CAPACITY: | 900 ± 15ml  | CLOSURE:          | Metal Clasp / Rubber Seal |
| HEIGHT:           | 145.9mm ±        | DIAMETER:          | 100 ± 1.8mm | FILL HEIGHT:      | mm                        |
| LABEL PANEL:      | mm               | CARBONATION:       | bar         | VACUITY:          | %                         |
| PALLET HEIGHT:    | 1.970m           | PALLET WEIGHT:     | 786kg       | UNITS PER PALLET: | 1188                      |
| DRAWING CHECKED:  | DRAFT SPEC       | DATE CHECKED:      | DRAFT SPEC  | DRAWING REF:      | CRNC9443.0                |

**DRAFT**