

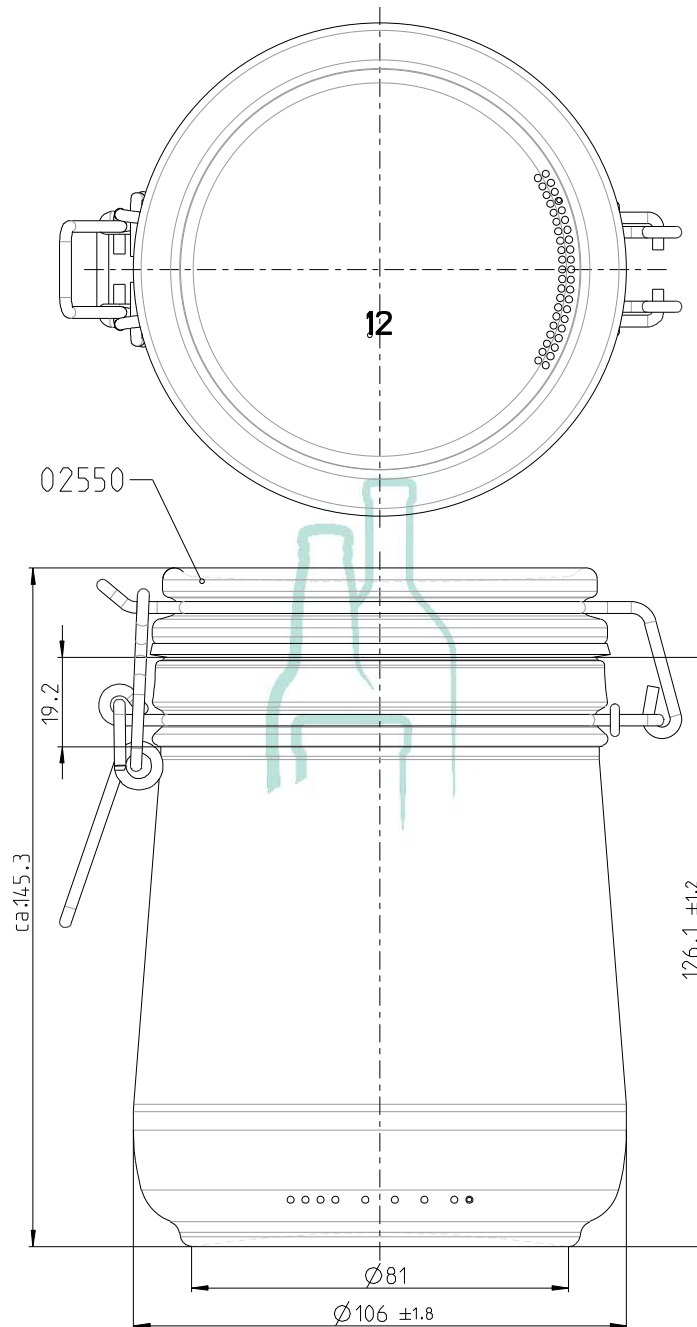


working with you

Alpha Place, Garth Road  
Morden, Surrey  
SM4 4LX England

(T): +44 208 337 2945  
(E): sales@croxsons.com  
[WWW.CROXSONS.COM](http://WWW.CROXSONS.COM)

Registered Office as above. Registered No: 71941



DESCRIPTION:	800ml Kilner Jar		ITEM CODE:	CRNC8480	
COLOUR:	Flint		WEIGHT:	568g	
NOMINAL CAPACITY:	800ml	BRIMFULL CAPACITY:	800 ± 15ml	CLOSURE:	Rubber Seal + Metal Clasp
HEIGHT:	145.3mm ±	DIAMETER:	106 ± 1.8mm	FILL HEIGHT:	mm
LABEL PANEL:	mm	CARBONATION:	bar	VACUITY:	%
PALLET HEIGHT:	1.780m	PALLET WEIGHT:	686kg	UNITS PER PALLET:	1155
DRAWING CHECKED:	<i>[Signature]</i>	DATE CHECKED:	19.10.2011	DRAWING REF:	CRNC8480