

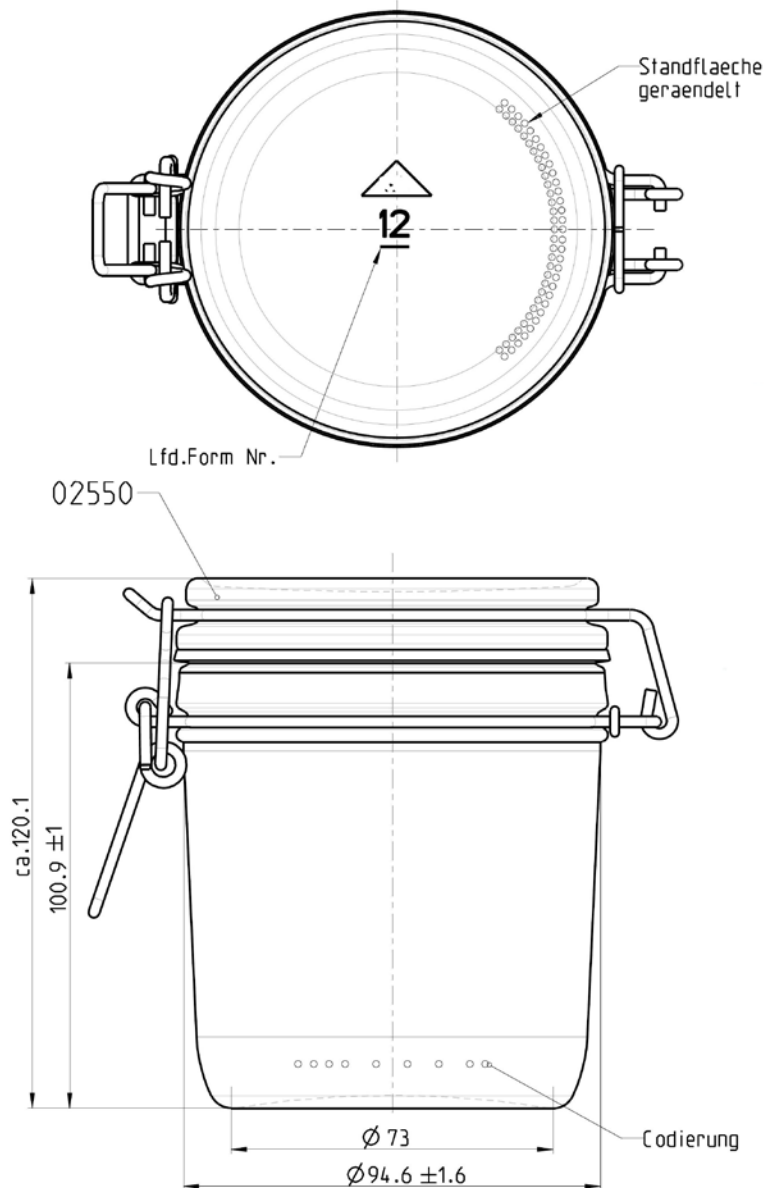


working with you

Alpha Place, Garth Road
Morden, Surrey
SM4 4LX England

(T): +44 208 337 2945
(E): sales@croxsons.com
WWW.CROXSONS.COM

Registered Office as above. Registered No: 71941



DESCRIPTION:	530ml Kilner Jar			ITEM CODE:	CRNC6372
COLOUR:	Flint			WEIGHT:	488g
NOMINAL CAPACITY:	530 ml	BRIMFULL CAPACITY:	530 ± 15ml	CLOSURE:	Metal clasp and rubber seal
HEIGHT:	120.1 ± mm	DIAMETER:	94.6 ± 1.6mm	FILL HEIGHT:	mm
LABEL PANEL:	mm	CARBONATION:	Nil	VACUITY:	%
PALLET HEIGHT:	2.110m	PALLET WEIGHT:	900kg	UNITS PER PALLET:	1840
DRAWING CHECKED:	Runciman	DATE CHECKED:	28.03.2011	DRAWING REF:	CRNC6372.01