

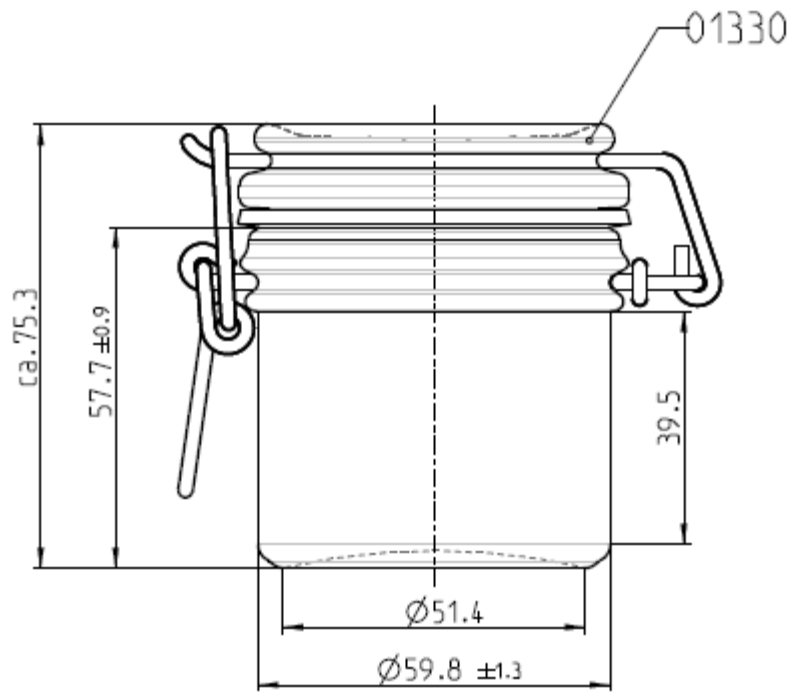


working with you

Alpha Place, Garth Road  
Morden, Surrey  
SM4 4LX England

(T): +44 208 337 2945  
(E): sales@croxsons.com  
**WWW.CROXSONS.COM**

Registered Office as above. Registered No: 71941



DESCRIPTION:	125ml Kilner			ITEM CODE:	CRNC1367
COLOUR:	Flint			WEIGHT:	208g
NOMINAL CAPACITY:	125ml	BRIMFULL CAPACITY:	125 ± 6ml	CLOSURE:	Metal Clasp and rubber seal
HEIGHT:	76.3 ± mm	DIAMETER:	59.8 ± mm	FILL HEIGHT:	mm
LABEL PANEL:	39.5mm	CARBONATION:	bar	VACUITY:	%
PALLET HEIGHT:	1.100m	PALLET WEIGHT:	718kg	UNITS PER PALLET:	3,240
DRAWING CHECKED:	<i>[Signature]</i>	DATE CHECKED:	29.03.2011	DRAWING REF:	CRNC1367.01